



**work safely**





Catalogue valid as of 16/10/2023. Please quote name and catalogue number when ordering. The images in the catalogue may differ from the product on sale. The photos may include additional options which are not included in the standard equipment.

Inter Tech reserves the right to change technical parameters and other physical characteristics. Inter Tech reserves the right to make changes to the products without informing the customer. The weights given are approximate and may differ from the actual weight depending on equipment and configuration. The catalogue is for information purposes only and does not constitute a commercial offer within the meaning of Article 543 of the Civil Code. The General Terms and Conditions of Sale (GTS) are available on the Inter Tech website [www.intertech-agro.pl](http://www.intertech-agro.pl).

# Mission



Fusion of passion, knowledge, commitment in an ever-changing world.



# Vision

We are the company that best in agribusiness YESes care of relationships according to individual customer needs.



# Courage

- Boldness and openness
- Determination
- Commitment and passion for common goals



# Development

- Emphasis on innovation
- Development of skills and knowledge
- Searching for better and better solutions, meeting customers by constantly improving quality.



# Partnership

- Human First
- Building lasting relationships
- Commitment

We are intensively developing the sales segment and new products and services. We are adapting our business profile to be fully customer-focused. The values reflect the way Inter Tech wants to achieve its goals. The essence of the Human First partnership is customer focus, building lasting relationships and commitment. We actively increase the potential of new products through the fusion of modern contact channels and compatible services. Development means an emphasis on innovation, development of skills and knowledge and the search for ever better solutions, meeting customers by constantly improving quality. Courage means boldness and openness, determination as well as commitment and passion in achieving common goals. The combination of these values leads to a better understanding of customer expectations, allows us to respond to market challenges and strengthens the Inter Tech Family's corporate culture.

# Inter Tech Family

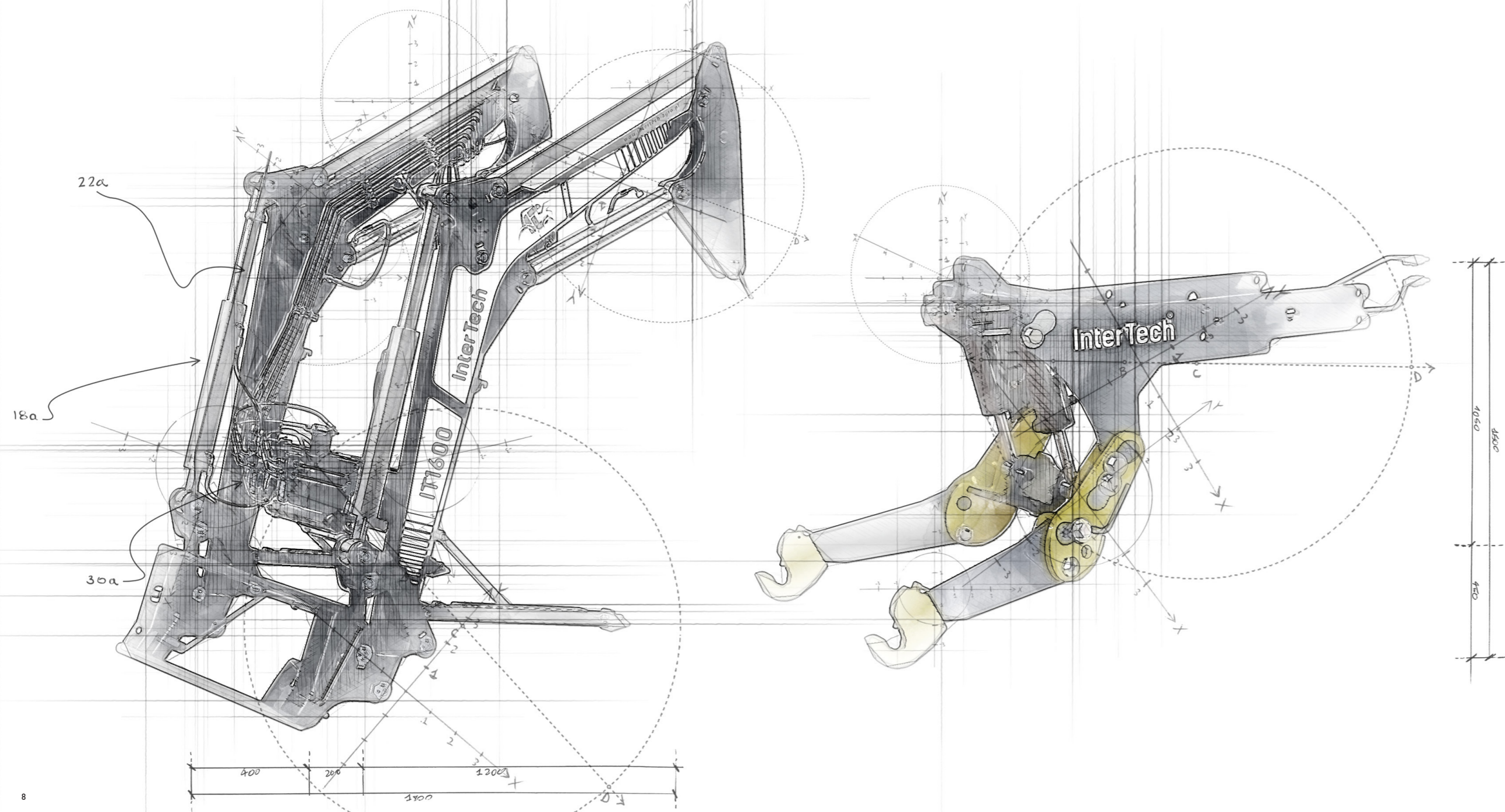
A fusion of passion, knowledge, commitment in an ever-changing world.

We have nothing to hide. Inter Tech is more than a company.

It is a community where everyone is treated like a family member.

There are few family businesses that build a lasting foundation in international relationships having a significant impact on agricultural development.

Inter Tech Family is the ideal place for ambitious, enthusiastic people looking for inspiration in their development, for whom gaining professional experience is a great motivation for work and a source of satisfaction.



## Loader Line

Quality matters.

Especially when reliable equipment is needed for farm work. Time and efficiency are today's key factors for smooth operation. Following this path, Inter Tech is relentless in its pursuit of perfection.

We create loaders from the highest quality components, constantly seeking new solutions dedicated to the personalized needs of our customers.

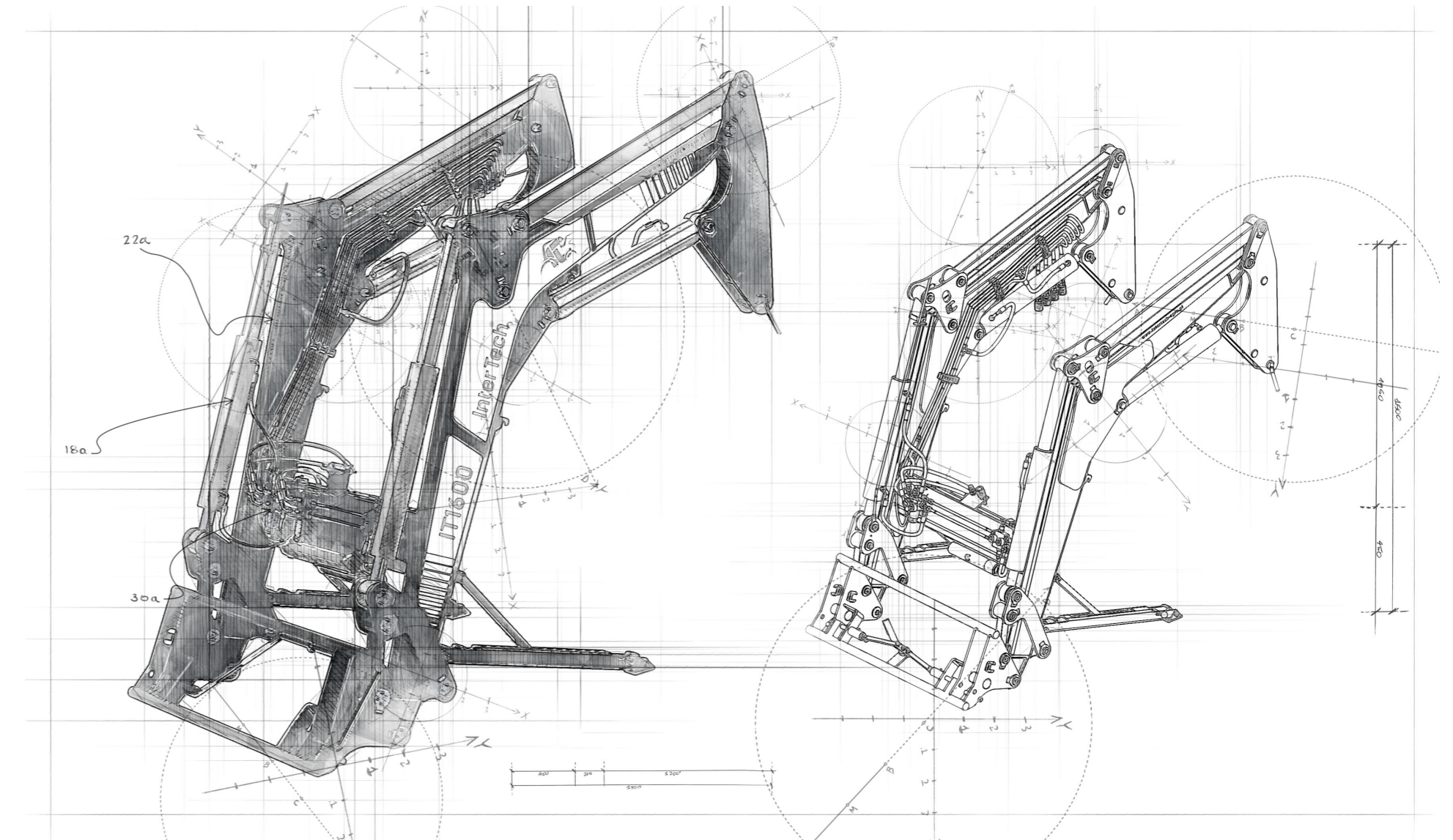
# FRONT LOADER

The front loader is an agricultural machine attached to the frame of a farm tractor. The machine is used for loading and unloading transport means of materials such as sand, gravel, mineral fertilizers, lime, manure, beets, potatoes, straw, or hay. The front loader can also be used for transport purposes.

Inter Tech front loaders can be used with most tractors offered on the European market and are applicable in every agricultural enterprise. For all models, there is the possibility of choosing high-class grabs, buckets, forks, and various types of equipment necessary in every farm.

The installed shock absorber effectively reduces shocks, providing a full sense of work comfort. Optimally selected angles of collection and dumping allow for reducing work time and making it more efficient.

The loader can be adapted to any tractor model with power ranging from 15 HP to 220 HP.



FRONT LOADER

**One tractor – a lot of possibilities**



IT 1800

**Discover GREENPOWER**



## FRONT LOADER IT1800



75-150 KM



1800 kg



3650 mm

## FRONT LOADER IT1800

Model	IT1800
Machine no	L8
Hydraulic cylinder (mm)	80/45/500
Load capacity (kg)	1800
Tractor power (HP)	75 - 150
Weight (kg)	487
Lifting height to the frame rotation axis (mm)	3650
Loading height (mm)	3075
Type of tools connection	EURO or SMS
Type of supports	Support foot
Steerage	Joystick
Type of mounting on the tractor	Bolts
Price per set (€)	●
Price of a loader boom without hydraulics (€)	●
Price of supporting structure and hydraulics (€)	●
<b>Equipment</b>	
Frame EURO or SMS	✓
Self locking frame	✓
3-section hydraulic	✓
Joystick	✓
Color	✓
Piston shock absorber (€)	●●
Quick connector (€)	○●
Electro-hydraulic divider (€)	●
Tilt indicator (€)	●
Hydraulic frame closing (€)	●
4-section (€)	●
Installation at the manufacturer's premises (€)	●
Installation at the dealer's or end customer's premises (€)	●
Service package	●●

FRONT  
**LOADER**  
line



- ✓ Standard equipment
- Optional equipment
- Option not available
- Recommended
- Especially recommended





IT1600

**A lot of power – even more precision**



## FRONT LOADER IT1600



60-220 KM



1600 kg

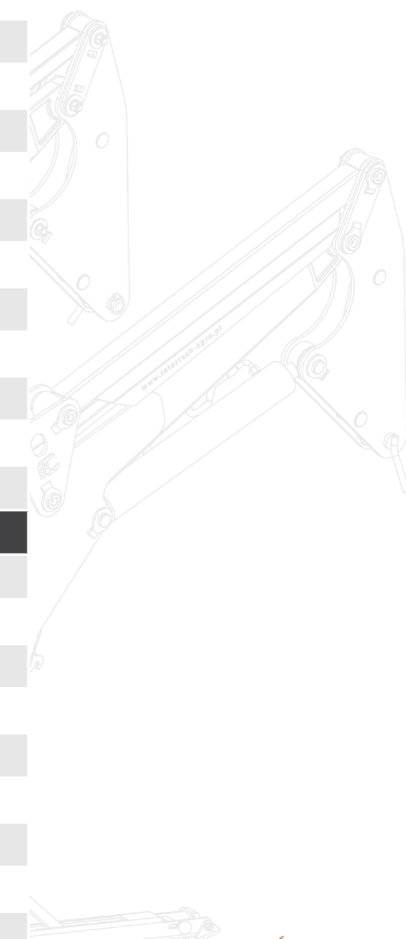


3650-4150 mm

## FRONT LOADER IT1600

Model	IT1600	IT1600/S	IT1600/L
Machine no	L2	L3	L4
Hydraulic cylinder (mm)	80/45/500	90/45/500	90/45/500
Load capacity (kg)	1600	1600	1600
Tractor power (HP)	60 - 120	70 - 150	120 - 220
Weight (kg)	590	630	670
Lifting height to the frame rotation axis (mm)	3650	3900	4150
Loading height (mm)	3400	3650	3900
Type of tools connection	EURO or SMS	EURO or SMS	EURO or SMS
Type of supports	Support foot	Support foot	Support foot
Steerage	Joystick	Joystick	Joystick
Type of mounting on the tractor	Bolts	Bolts	Bolts
Possibility to order a set	●	●	●
Possibility to order a loader boom without hydraulics	●	●	●
Possibility to order supporting structure and hydraulics	●	●	●
<b>Equipment</b>			
Frame EURO or SMS	✓	✓	✓
Self locking frame	✓	✓	✓
3-section hydraulic	✓	✓	✓
Joystick	✓	✓	✓
Color	✓	✓	✓
Piston shock absorber (€)	●●	●●	●●
Quick connector (€)	○●	○●	○●
Electro-hydraulic divider (€)	●	●	●
Tilt indicator (€)	●	●	●
Hydraulic frame closing (€)	●	●	●
4-section (€)	●	●	●
Installation at the manufacturer's premises (€)	●	●	●
Installation at the dealer's or end customer's premises (€)	●	●	●
Service package	●●	●●	●●

## FRONT LOADER line



- ✓ Standard equipment
- Optional equipment
- Option not available
- Recommended
- Especially recommended



IT 1300

**Make full use of the power of your  
machine**



# FRONT LOADER IT1300



60-120 KM



1300 kg



3650 mm

## FRONT LOADER IT1300

Model	IT1300
Machine no	L1
Hydraulic cylinder (mm)	70/40/500
Load capacity (kg)	1300
Tractor power (HP)	60 - 120
Weight (kg)	590
Lifting height to the frame rotation axis (mm)	3650
Loading height (mm)	3400
Type of tools connection	EURO or SMS
Type of supports	Support foot
Steerage	Joystick
Type of mounting on the tractor	Bolts
Possibility to order a set	●
Possibility to order a loader boom without hydraulics	●
Possibility to order supporting structure and hydraulics	●
Equipment	
Frame EURO or SMS	✓
Self locking frame	✓
3-section hydraulic	✓
Joystick	✓
Color	✓
Piston shock absorber (€)	●●
Quick connector (€)	○●
Electro-hydraulic divider (€)	●
Tilt indicator (€)	●
Hydraulic frame closing (€)	●
4-section (€)	●
Installation at the manufacturer's premises (€)	●
Installation at the dealer's or end customer's premises (€)	●
Service package	●●

## FRONT LOADER line



- ✓ Standard equipment
- Optional equipment
- Option not available
- Recommended
- Especially recommended



IT 1200

**The most popular choice for  
medium power tractors**





## FRONT LOADER IT 1200



50-80 KM



1200 kg

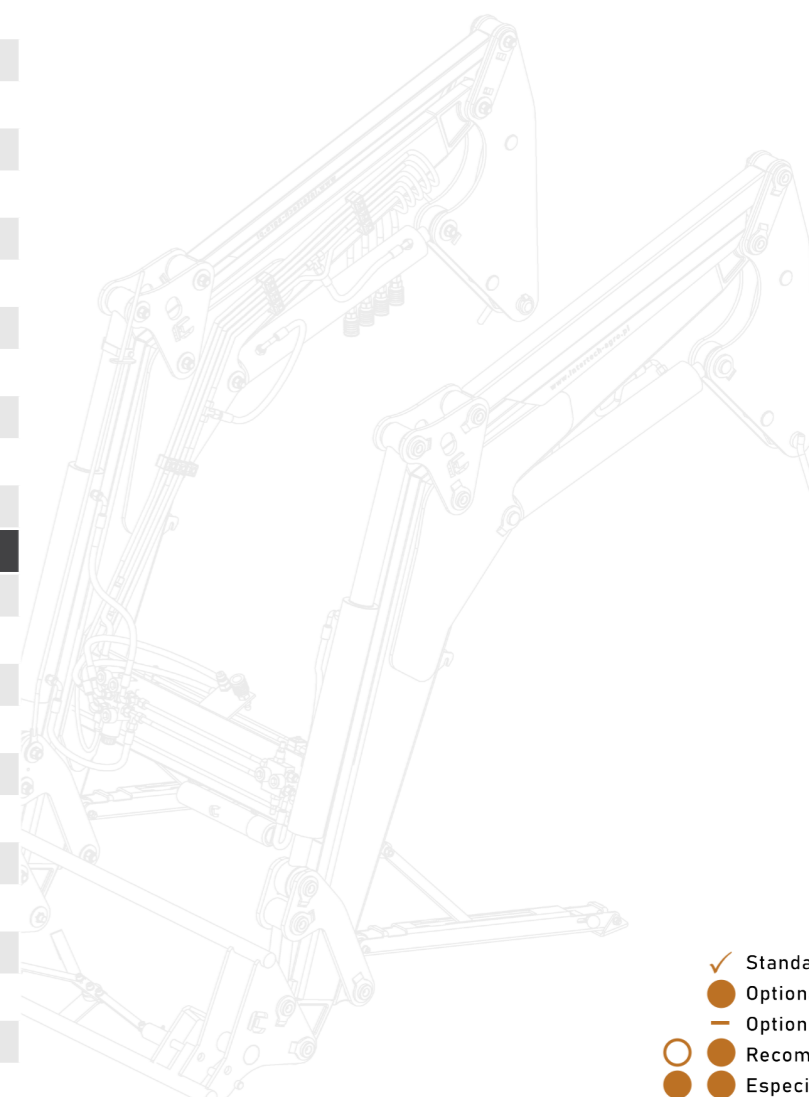


3200 mm

## FRONT LOADER IT1200

Model	IT1200
Machine no	L5
Hydraulic cylinder (mm)	70/40/500
Load capacity (kg)	1200
Tractor power (HP)	50 - 80
Weight (kg)	495
Lifting height to the frame rotation axis (mm)	3200
Loading height (mm)	2900
Type of tools connection	EURO or SMS
Type of supports	Support foot
Steerage	Joystick
Type of mounting on the tractor	Bolts
Possibility to order a set	●
Possibility to order a loader boom without hydraulics	●
Possibility to order supporting structure and hydraulics	●
<b>Equipment</b>	
Frame EURO or SMS	✓
Self locking frame	✓
3-section hydraulic	✓
Joystick	✓
Color	✓
Piston shock absorber (€)	●●
Quick connector (€)	○●
Electro-hydraulic divider (€)	●
Tilt indicator (€)	●
Hydraulic frame closing (€)	●
4-section (€)	●
Installation at the manufacturer's premises (€)	●
Installation at the dealer's or end customer's premises (€)	●
Service package	●●

## FRONT LOADER line

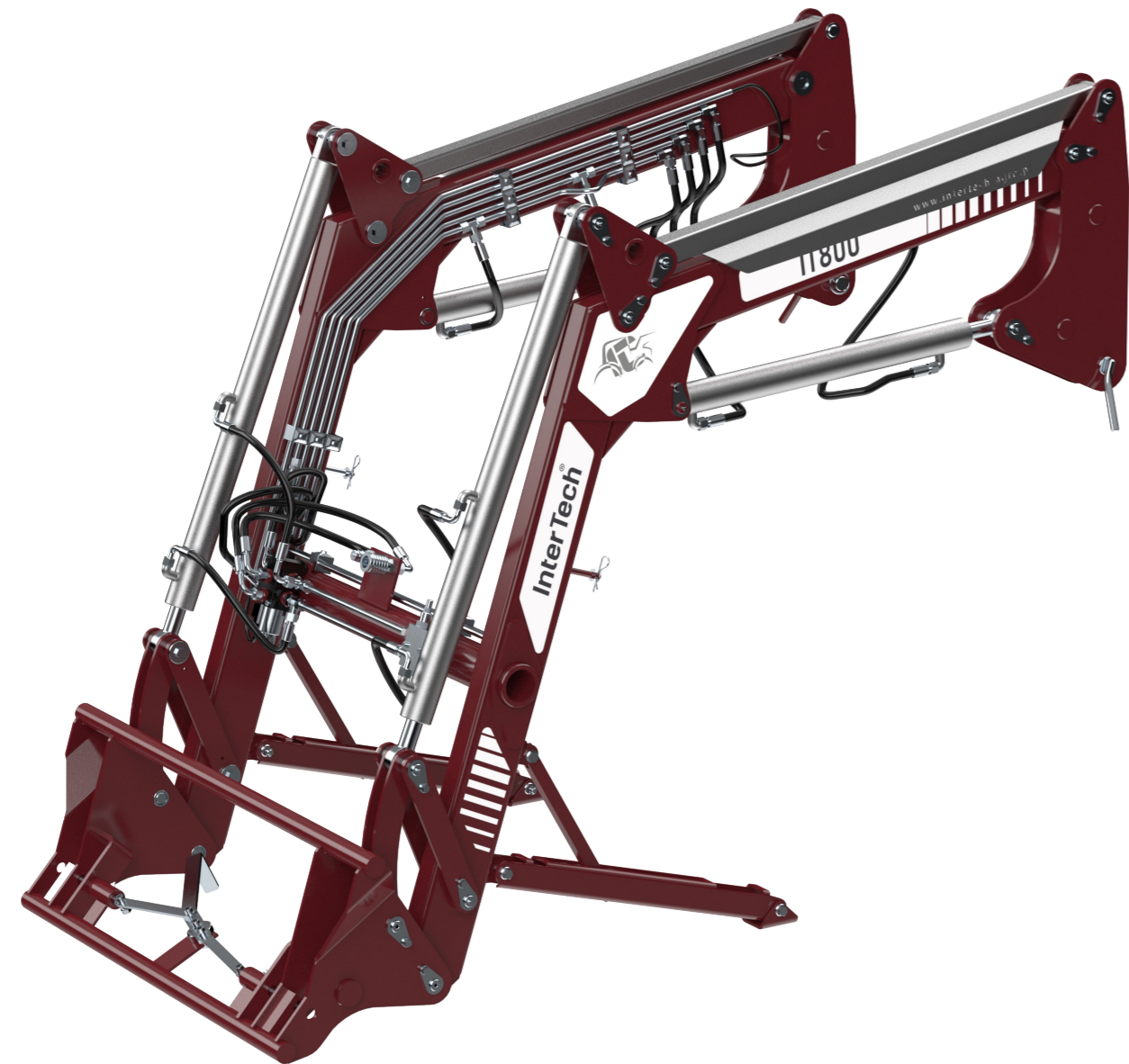


- ✓ Standard equipment
- Optional equipment
- Option not available
- Recommended
- Especially recommended



IT 800  
**Expand the capabilities  
of your tractor**





## FRONT LOADER IT 800



30-60 KM



800 kg

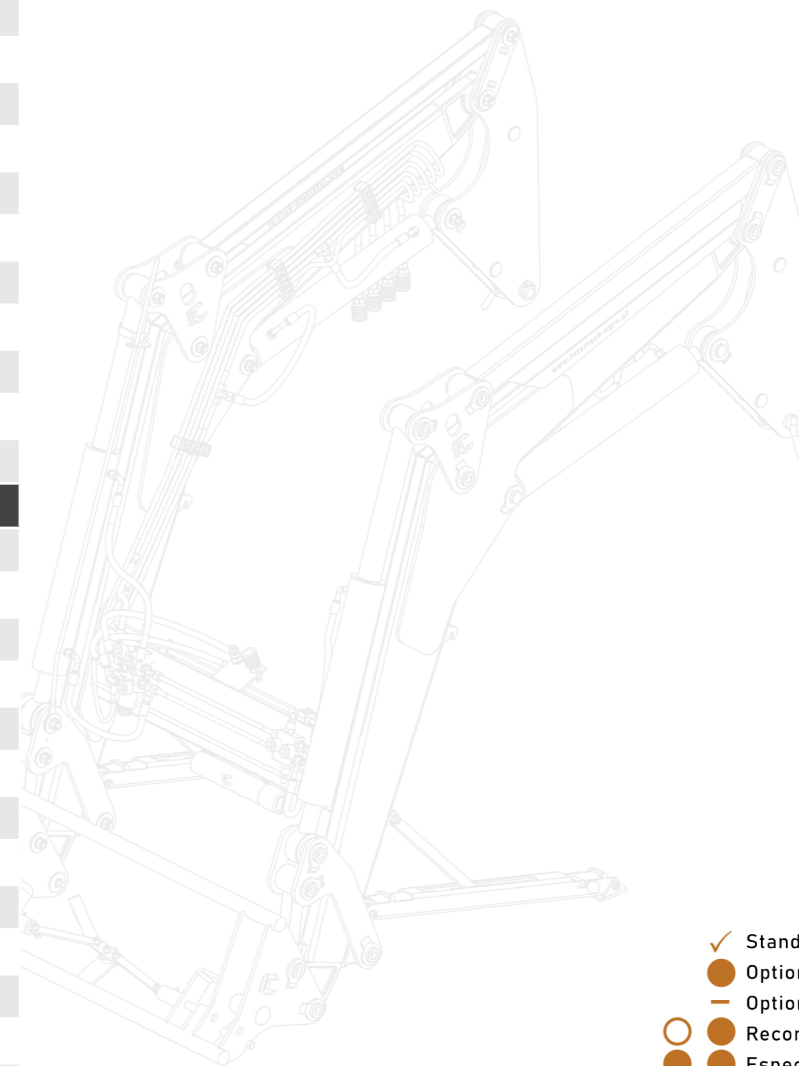


2950 mm

## FRONT LOADER IT 800

Model	IT 800
Machine no	L6
Hydraulic cylinder (mm)	50/32/500
Load capacity (kg)	800
Tractor power (HP)	30 - 60
Weight (kg)	305
Lifting height to the frame rotation axis (mm)	2950
Loading height (mm)	2800
Type of tools connection	EURO or SMS
Type of supports	Support foot
Steerage	Joystick
Type of mounting on the tractor	Bolts
Possibility to order a set	●
Possibility to order a loader boom without hydraulics	●
Possibility to order supporting structure and hydraulics	●
<b>Equipment</b>	
Frame EURO or SMS	✓
Self locking frame	-
3-section hydraulic	✓
Joystick	✓
Color	✓
Piston shock absorber (€)	●●
Quick connector (€)	○●
Electro-hydraulic divider (€)	-
Tilt indicator (€)	●
Hydraulic frame closing (€)	●
4-section (€)	●
Installation at the manufacturer's premises (€)	●
Installation at the dealer's or end customer's premises (€)	●
Service package	●●

FRONT  
**LOADER**  
line



- ✓ Standard equipment
- Optional equipment
- Option not available
- Recommended
- Especially recommended





IT 400

Perfect solution for small tractors





# FRONT LOADER IT 400



20-40 KM



400 kg

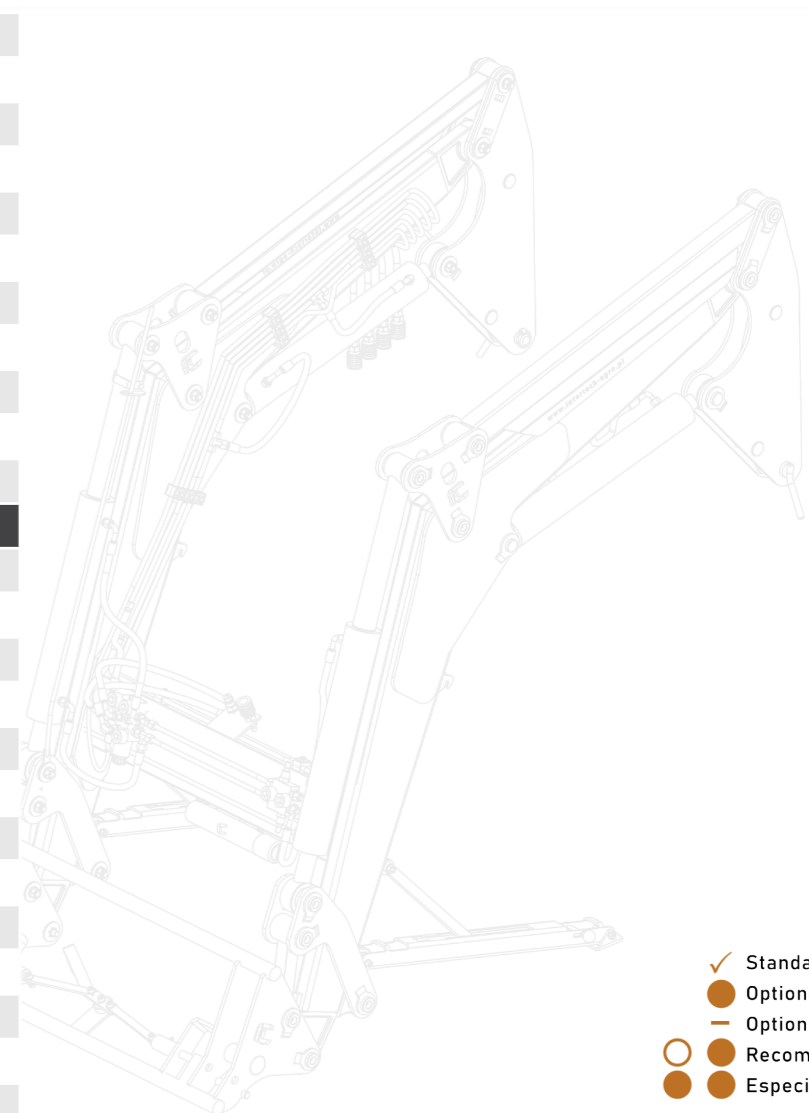


2200 mm

## FRONT LOADER IT 400

Model	IT 400
Machine no	L7
Hydraulic cylinder (mm)	40/22/370
Load capacity (kg)	400
Tractor power (HP)	20 - 40
Weight (kg)	250
Lifting height to the frame rotation axis (mm)	2200
Loading height (mm)	2050
Type of tools connection	EURO or SMS
Type of supports	Support foot
Steerage	Joystick
Type of mounting on the tractor	Bolts
Possibility to order a set	●
Possibility to order a loader boom without hydraulics	●
Possibility to order supporting structure and hydraulics	●
Equipment	
Frame EURO or SMS	✓
Self locking frame	-
3-section hydraulic	✓
Joystick	✓
Color	✓
Piston shock absorber (€)	●●
Quick connector (€)	○●
Electro-hydraulic divider (€)	-
Tilt indicator (€)	●
Hydraulic frame closing (€)	-
4-section (€)	●
Installation at the manufacturer's premises (€)	●
Installation at the dealer's or end customer's premises (€)	●
Service package	●●

## FRONT LOADER line



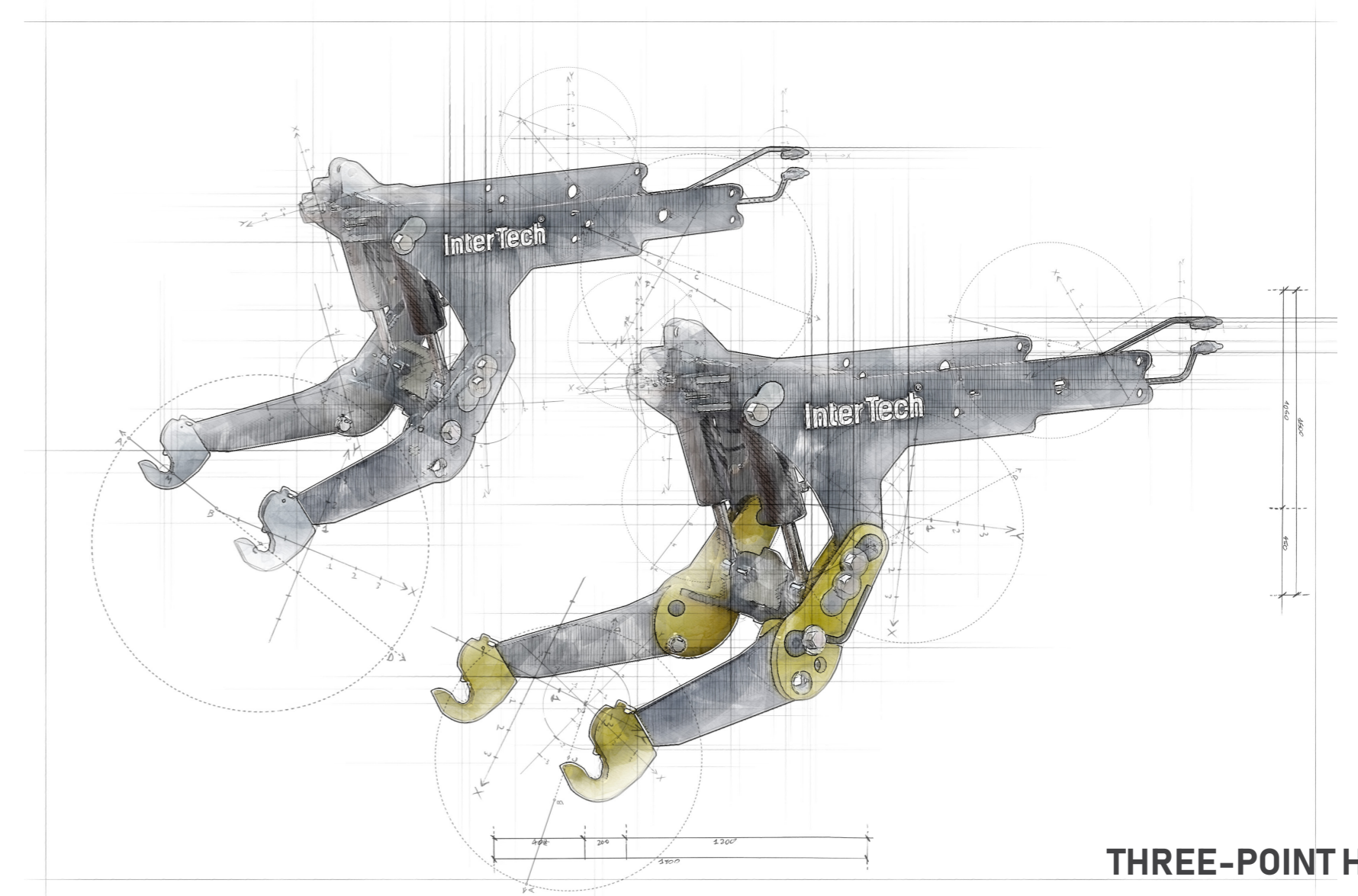
- ✓ Standard equipment
- Optional equipment
- Option not available
- Recommended
- Especially recommended

# THREE-POINT HITCH

The three-point hitch is a lever system used for hanging and attaching agricultural tools.

Control of the hitch can be either mechanical or automatic, and its range of manipulation includes lifting, lowering, and lateral movements. It allows for the attachment of a significantly larger number of machines and devices.

Its presence significantly increases the functionality of the tractor and enables the performance of several tasks with one machine, which in turn translates into savings of both time and money.



THREE-POINT HITCH

**Versatile fit**



400 kg

## Three-Point Hitch

### Three-Point Hitch

Model	ITFL2500	ITFL1200	ITFL400
Machine no	LT1	LT2	LT3
Load capacity (kg)	2500	1200	400
Weight (kg)	350	110	50
Shoulder stroke (mm)	765	765	370
Number of cylinders (pcs.)	2	2	2
Front linkage category	TUZ, cat. II, III	TUZ, cat. I, II	TUZ, cat. I
Cach hook	CBM cat. II, III	CBM cat. I, II	CBM cat. I, II
Steerage	Tractor hydraulic	Tractor hydraulic	Tractor hydraulic
<b>Equipment</b>			
Double acting hydraulic cylinders	✓	✓	✓
Extendable arms	✓	✓	✓
Hydraulic hoses	✓	✓	✓
External hydraulic outputs (€)	●	●	✓
Electrical output for lights	●	●	—
3 pin electrical output	●	●	—
Control with the help of a joystick (additional splitter required) (€)	●	●	○ ●
Service package	● ●	● ●	● ●

- ✓ Standard equipment
- Optional equipment
- Option not available
- Recommended
- Especially recommended



## GUARANTEE

We guarantee a professional service and professional advice. Every customer is important to us.



## ENVIRONMENT

We use renewable energy sources.



## TRANSPORT



We offer logistical support. Safe delivery of purchased machines.

[www.itlogistic.pl](http://www.itlogistic.pl)



## SAFETY

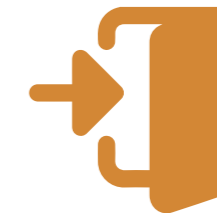
We build with your safety in mind.

**work safely**



## SERVICE

Helpline service 24/7 Diagnosis, assistance and expert advice in case of any emergencies and questions regarding the use of the machines. We are there when you need us, whatever happens you have our support.



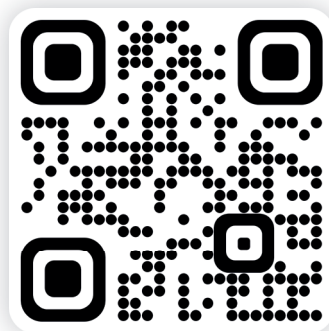
## AVAILABILITY





Online at all times.

enova365



**work safely**



-  532 777 770
-  Aleja Wojska Polskiego 100,  
18-300 Zambrów
-  [facebook.com/InterTechZambrow](https://facebook.com/InterTechZambrow)
-  [intertech\\_agro](https://instagram.com/intertech_agro)
-  [InterTechAgro](https://www.youtube.com/InterTechAgro)
-  [sekretariat@intertech-agro.pl](mailto:sekretariat@intertech-agro.pl)
-  [www.intertech-agro.pl](http://www.intertech-agro.pl)