



**work safely**





Catalogue valid as of 16/10/2023. Please quote name and catalogue number when ordering. The images in the catalogue may differ from the product on sale. The photos may include additional options which are not included in the standard equipment.

Inter Tech reserves the right to change technical parameters and other physical characteristics. Inter Tech reserves the right to make changes to the products without informing the customer. The weights given are approximate and may differ from the actual weight depending on equipment and configuration. The catalogue is for information purposes only and does not constitute a commercial offer within the meaning of Article 543 of the Civil Code. The General Terms and Conditions of Sale (GTS) are available on the Inter Tech website [www.intertech-agro.pl](http://www.intertech-agro.pl).

# Mission



Fusion of passion, knowledge, commitment in an ever-changing world.

# Vision



We are the company that best in agribusiness YESes care of relationships according to individual customer needs.



# Courage



- Boldness and openness
- Determination
- Commitment and passion for common goals

# Development



- Emphasis on innovation
- Development of skills and knowledge
- Searching for better and better solutions, meeting customers by constantly improving quality.

# Partnership



- Human First
- Building lasting relationships
- Commitment

We are intensively developing the sales segment and new products and services. We are adapting our business profile to be fully customer-focused. The values reflect the way Inter Tech wants to achieve its goals. The essence of the Human First partnership is customer focus, building lasting relationships and commitment. We actively increase the potential of new products through the fusion of modern contact channels and compatible services. Development means an emphasis on innovation, development of skills and knowledge and the search for ever better solutions, meeting customers by constantly improving quality. Courage means boldness and openness, determination as well as commitment and passion in achieving common goals. The combination of these values leads to a better understanding of customer expectations, allows us to respond to market challenges and strengthens the Inter Tech Family's corporate culture.

# Inter Tech Family

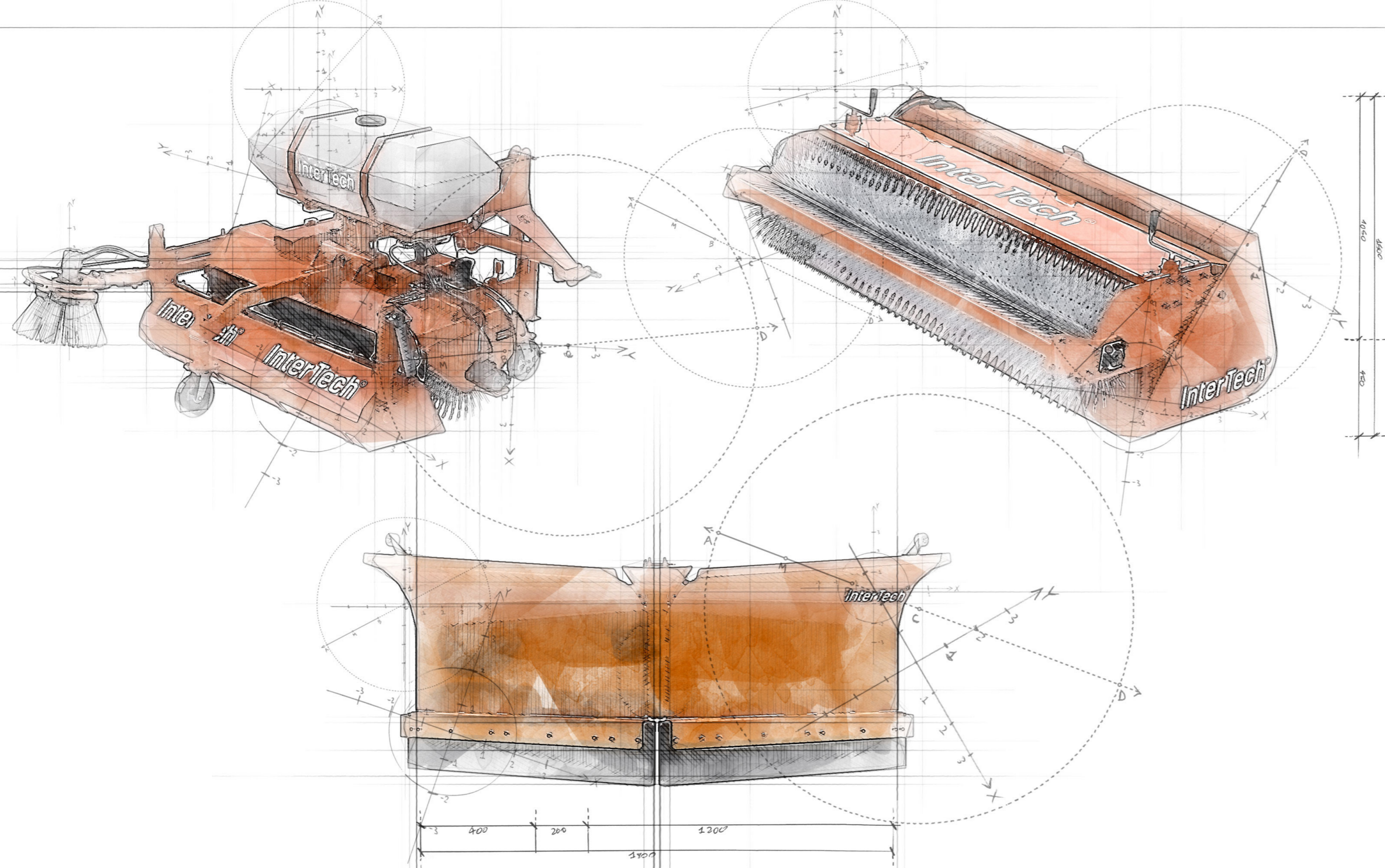
A fusion of passion, knowledge, commitment in an ever-changing world.

We have nothing to hide. Inter Tech is more than a company.

It is a community where everyone is treated like a family member.

There are few family businesses that build a lasting foundation in international relationships having a significant impact on agricultural development.

Inter Tech Family is the ideal place for ambitious, enthusiastic people looking for inspiration in their development, for whom gaining professional experience is a great motivation for work and a source of satisfaction.



## Orange Line

Distance does not matter. The most important thing is safety.

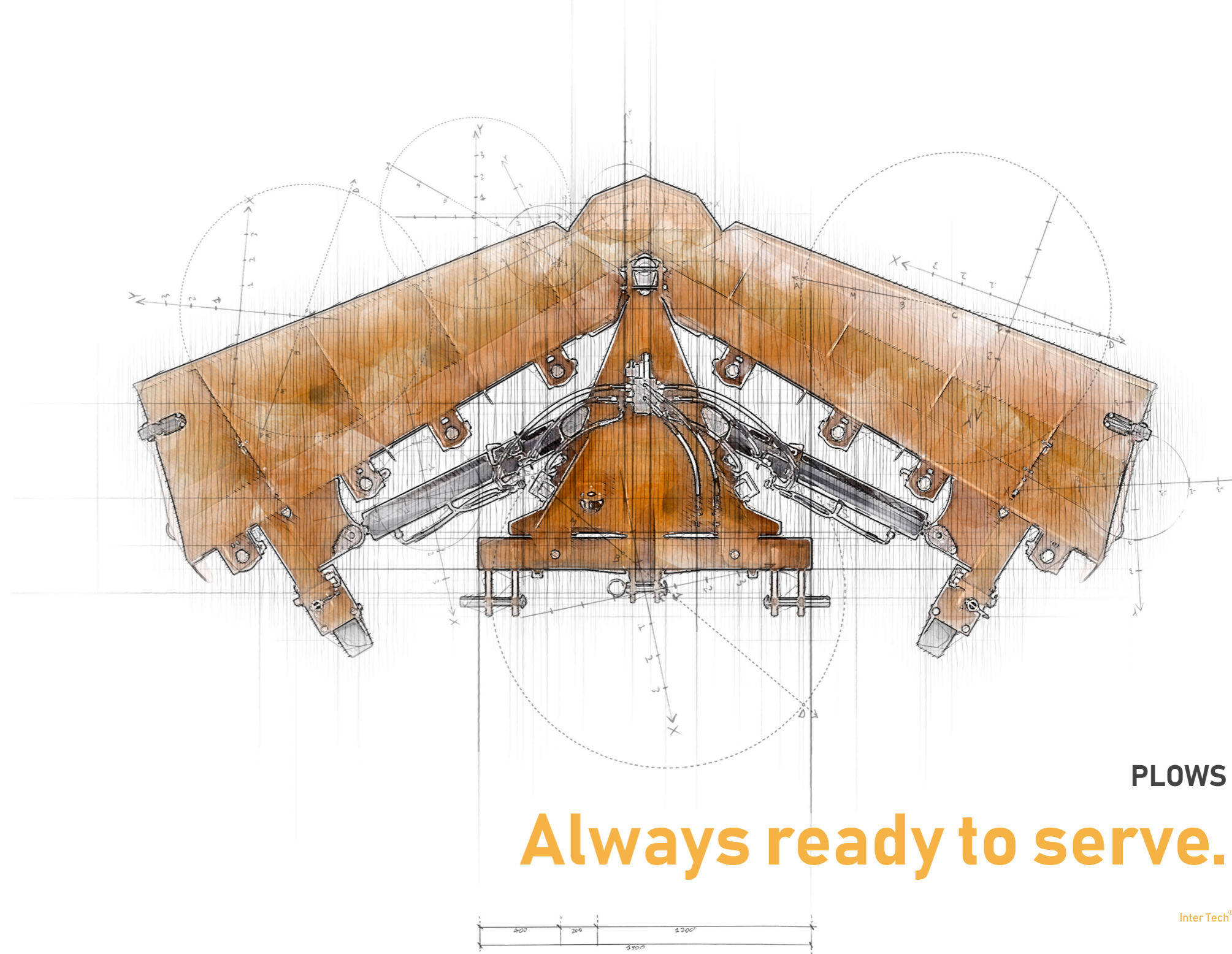
In autumn and winter, road conditions can be difficult. The weather can be capricious and unpredictable. Comfort and safety can only be provided by reliable machines ready to fulfil their role. Well-thought-out solutions ensure readiness for the challenges of everyday life regardless of the variability of the weather.



# PLOWS

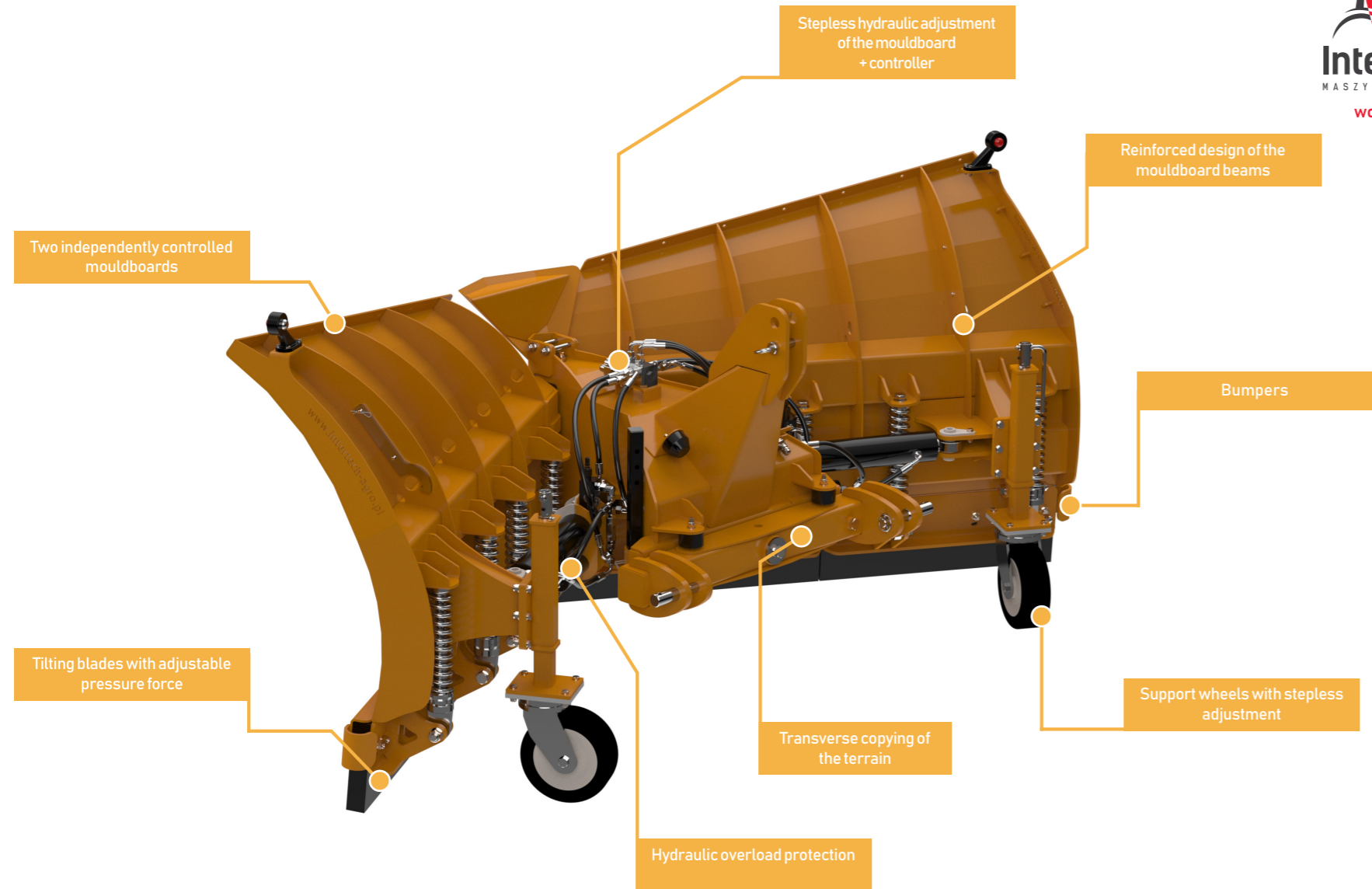
The plow is designed for clearing snow from both paved and unpaved road surfaces. The V-type snow plow is an excellent partner for demanding conditions. Two independently controlled mouldboards allow for precise snow removal even on the most challenging terrain. It adapts perfectly to the uneven terrain thanks to the transverse terrain copying function.

A specially designed blade tilting mechanism protects against unforeseen obstacles. The construction of the plow is durable and at the same time extremely lightweight. The floating suspension ensures constant and even pressure on the ground. It works perfectly with tractors, telescopic loaders, or mini loaders.



PLOWS

Always ready to serve.



## HYDRAULIC PLOW PSSHV HD



## HYDRAULIC PLOW PSSHV HD

Machine no	OPV01	OPV02	OPV03
Width (m)	3,2	3,6	4,0
Minimum working width (m)	2,85	3,25	3,65
Maximum working width (m)	3,2	3,6	4,0
Mouldboard height (m)	1,24	1,26	1,28
Steering angle (°)	30	30	30
Minimum tractor power (HP)	120	120	120
Weight (kg)	810	870	920
Equipment			
TUZ connection cat. II, III	✓	✓	✓
Amortized blade	✓	✓	✓
Two independently controlled mouldboards	✓	✓	✓
Electric connector 12V	✓	✓	✓
Stepless hydraulic adjustment of the mouldboard + controller	✓	✓	✓
Transverse copying of the terrain	✓	✓	✓
Scraper bar (mm) 50	✓	✓	✓
Support wheels with stepless adjustment	✓	✓	✓
Tilting blades with adjustable pressure force	✓	✓	✓
Hydraulic overload protection	✓	✓	✓
Lighting			
Additional snow cover (€)	●	●	●
Steel blade (m) (€)	●	●	●
Polyurethane blade (m) (€)	○●	○●	○●
EURO / TUZ connection	-	-	-
Telehandler mount (€)	●	●	●
Skid steer mount (€)	-	-	-
Service package	●●	●●	●●

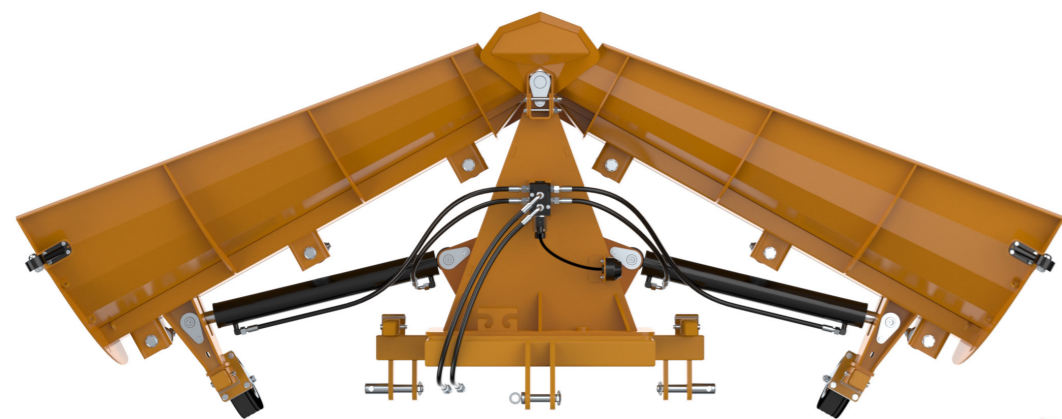
ORANGE  
line



- ✓ Standard equipment
- Optional equipment
- Option not available
- Recommended
- Especially recommended







## HYDRAULIC PLOW PSSHV-01



MIN. 80 KM



2,15-4,0 m

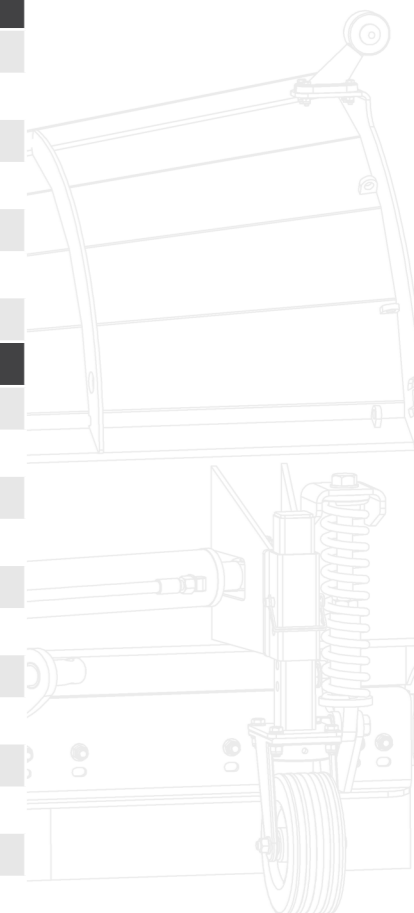


1,1 m

ORANGE  
line

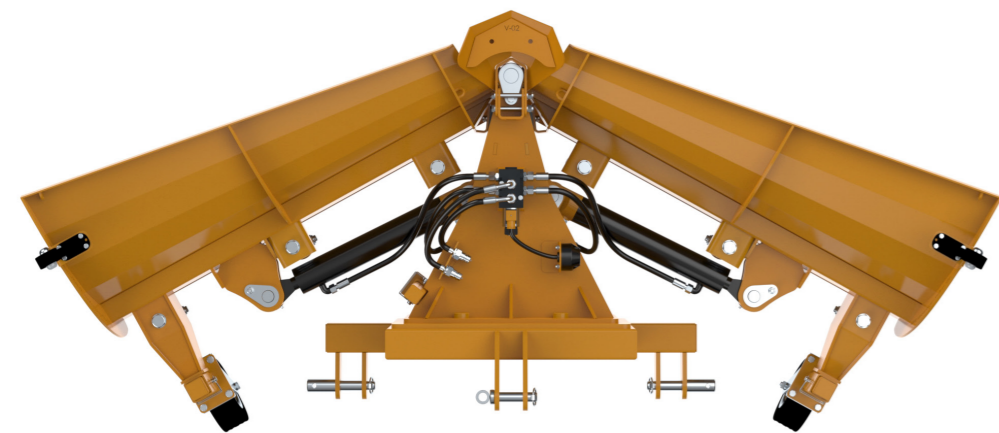
## HYDRAULIC PLOW PSSHV-01

Machine no	OPV04	OPV05	OPV06	OPV07
Width (m)	2,5	3,15	3,6	4,0
Minimum working width (m)	2,15	2,70	3,20	3,55
Maximum working width (m)	2,5	3,15	3,6	4,0
Mouldboard height (m)	1,1	1,1	1,1	1,1
Steering angle (°)	30	30	30	30
Minimum tractor power (HP)	80	80	80	80
Weight (kg)	630	690	710	745
<b>Equipment</b>				
EURO or SMS or TUZ cat. II connection	✓	✓	✓	✓
Amortized blade	✓	✓	✓	✓
Two independently controlled mouldboards	✓	✓	✓	✓
Electric connector 12V	✓	✓	✓	✓
Stepless hydraulic adjustment of the mouldboard + controller	✓	✓	✓	✓
Transverse copying of the terrain	✓	✓	✓	✓
Scraper bar (mm) 50	✓	✓	✓	✓
Support wheels / slides	✓	✓	✓	✓
Lighting	✓	✓	✓	✓
Steel blade (m) (€)	●	●	●	●
Polyurethane blade (m) (€)	○●	○●	○●	○●
EURO / TUZ connection	●●	●●	●●	●●
Telehandler mount (€)	●	●	●	●
Skid steer mount (€)	-	-	-	-
Service package	●●	●●	●●	●●



- ✓ Standard equipment
- Optional equipment
- Option not available
- Recommended
- Especially recommended





## HYDRAULIC PLOW PSSHV-02



MIN. 50 KM



1,95-2,5 m

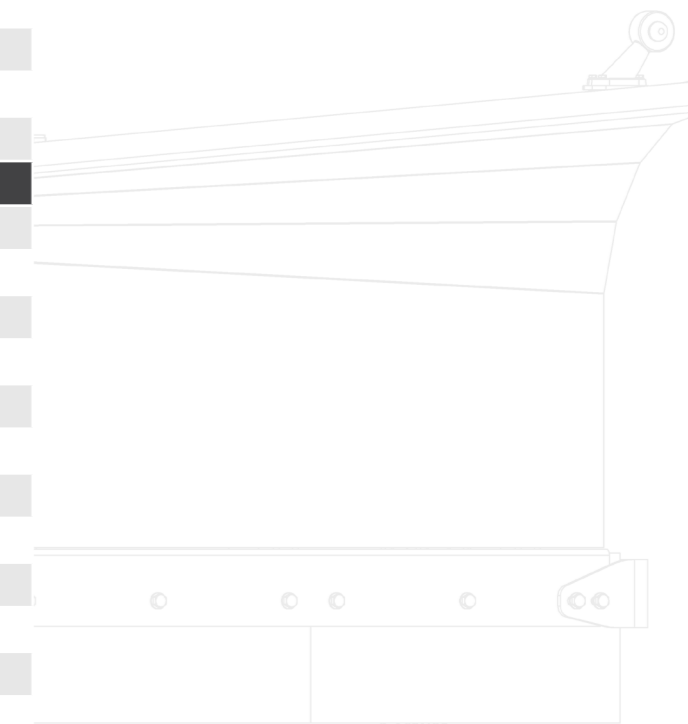


0,95 m

## HYDRAULIC PLOW PSSHV-02

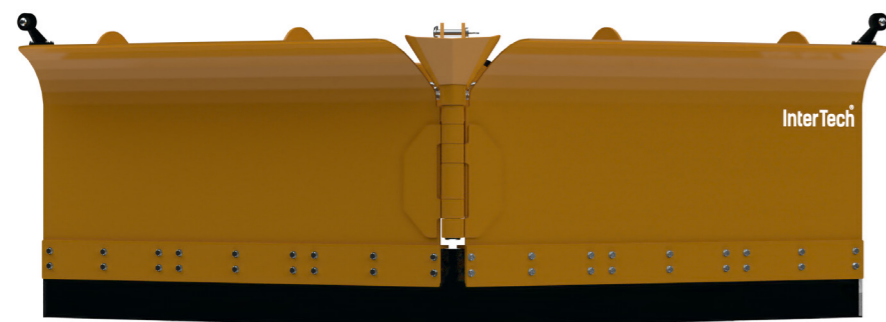
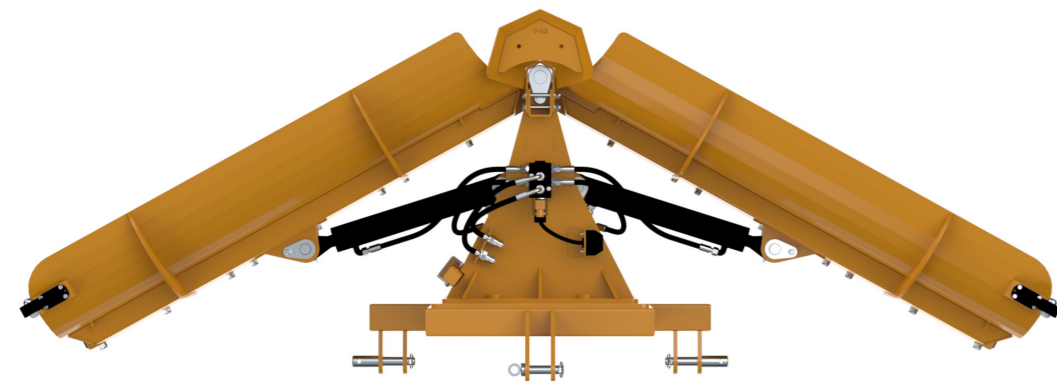
Machine no	OPV08	OPV09
Width (m)	2,1	2,5
Minimum working width (m)	1,90	2,20
Maximum working width (m)	2,1	2,5
Mouldboard height (m)	0,95	0,95
Steering angle (°)	29	29
Minimum tractor power (HP)	50	50
Weight (kg)	310	360
Equipment		
EURO or SMS or TUZ cat. II connection	✓	✓
Amortized blade	✓	✓
Two independently controlled mouldboards	✓	✓
Electric connector 12V	✓	✓
Stepless hydraulic adjustment of the mouldboard + controller	✓	✓
Transverse copying of the terrain	✓	✓
Scraper bar (mm) 50	✓	✓
Support wheels / slides	✓	✓
Lighting	✓	✓
Steel blade (m) (€)	●	●
Polyurethane blade (m) (€)	○ ●	○ ●
EURO / TUZ connection	● ●	● ●
Telehandler mount (€)	●	●
Skid steer mount (€)	●	●
Service package	● ●	● ●

ORANGE  
line



- ✓ Standard equipment
- Optional equipment
- Option not available
- Recommended
- Especially recommended





## HYDRAULIC PLOW PSSHV-03



MIN. 60 KM



1,85-3,0 m



0.9 m

## HYDRAULIC PLOW PSSHV-03

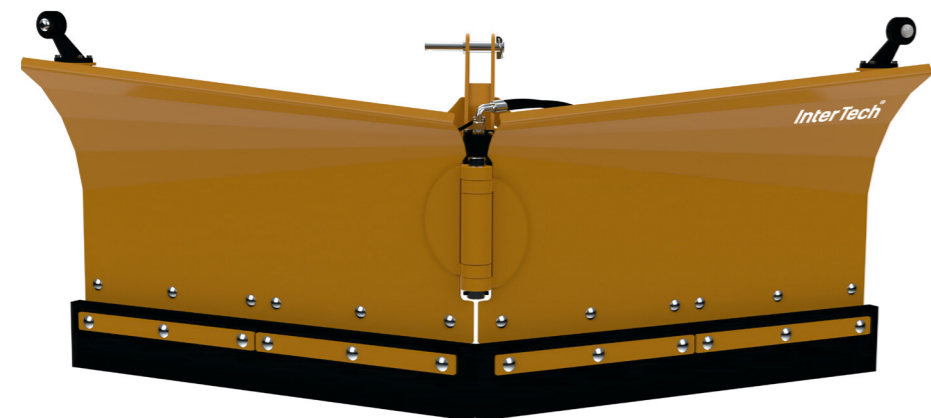
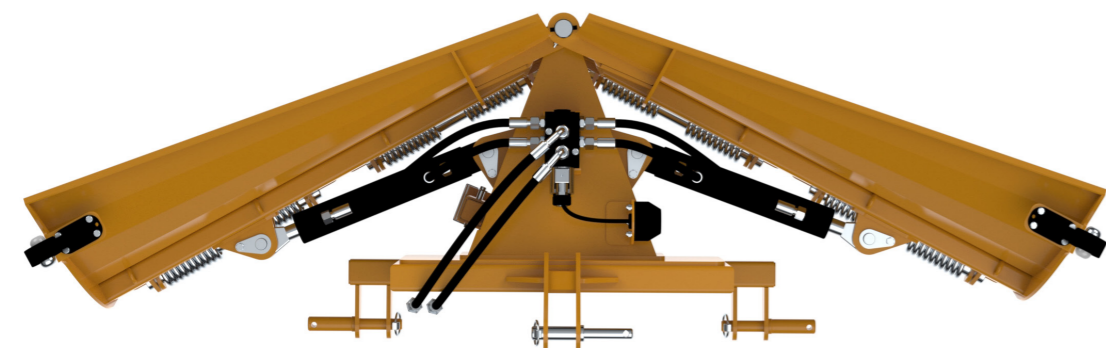
ORANGE  
line

Machine no	OPV10	OPV11	OPV12
Width (m)	2,1	2,6	3,15
Minimum working width (m)	1,85	2,30	2,75
Maximum working width (m)	2,1	2,6	3,0
Mouldboard height (m)	0,9	0,9	0,9
Steering angle (°)	29	29	29
Minimum tractor power (HP)	60	60	60
Weight (kg)	320	370	430
Equipment			
EURO or SMS or TUZ cat. II connection	✓	✓	✓
Two independently controlled mouldboards	✓	✓	✓
Electric connector 12V	✓	✓	✓
Stepless hydraulic adjustment of the mouldboard + controller	✓	✓	✓
Transverse copying of the terrain	✓	✓	✓
Scraper bar (mm) 50	✓	✓	✓
Lighting	✓	✓	✓
Support wheels / slides	—	●	●
Steel blade (m) (€)	●	●	●
Polyurethane blade (m) (€)	○ ●	○ ●	○ ●
EURO / TUZ connection	● ●	● ●	● ●
Telehandler mount (€)	●	●	●
Skid steer mount (€)	●	●	—
Service package	● ●	● ●	● ●



- ✓ Standard equipment
- Optional equipment
- Option not available
- Recommended
- Especially recommended





## HYDRAULIC PLOW PSSHV-04



MIN. 22 KM



1,40-2,24 m



0,7 m

## HYDRAULIC PLOW PSSHV-04

Machine no	OPV13	OPV14	OPV15	OPV16
Width (m)	1,5	1,8	2,0	2,2
Minimum working width (m)	1,40	1,64	1,81	1,96
Maximum working width (m)	1,56	1,84	2,04	2,24
Mouldboard height (m)	0,7	0,7	0,7	0,7
Steering angle (°)	30	30	30	30
Minimum tractor power (HP)	22	22	22	22
Weight (kg)	165	180	190	210
Equipment				
TUZ cat. I, II connection	✓	✓	✓	✓
Two independently controlled mouldboards	✓	✓	✓	✓
Electric connector 12V	✓	✓	✓	✓
Stepless hydraulic adjustment of the mouldboard + controller	✓	✓	✓	✓
Transverse copying of the terrain	✓	✓	✓	✓
Scraper bar (mm) 50	✓	✓	✓	✓
Lighting	✓	✓	✓	✓
Support wheels / slides	—	●	●	●
Steel blade (m) (€)	●	●	●	●
Polyurethane blade (m) (€)	○●	○●	○●	○●
EURO / TUZ connection lub EURO or SMS	●	●	●	●
Telehandler mount (€)	—	—	—	—
Skid steer mount (€)	●●	●●	●●	●●
Service package	●●	●●	●●	●●



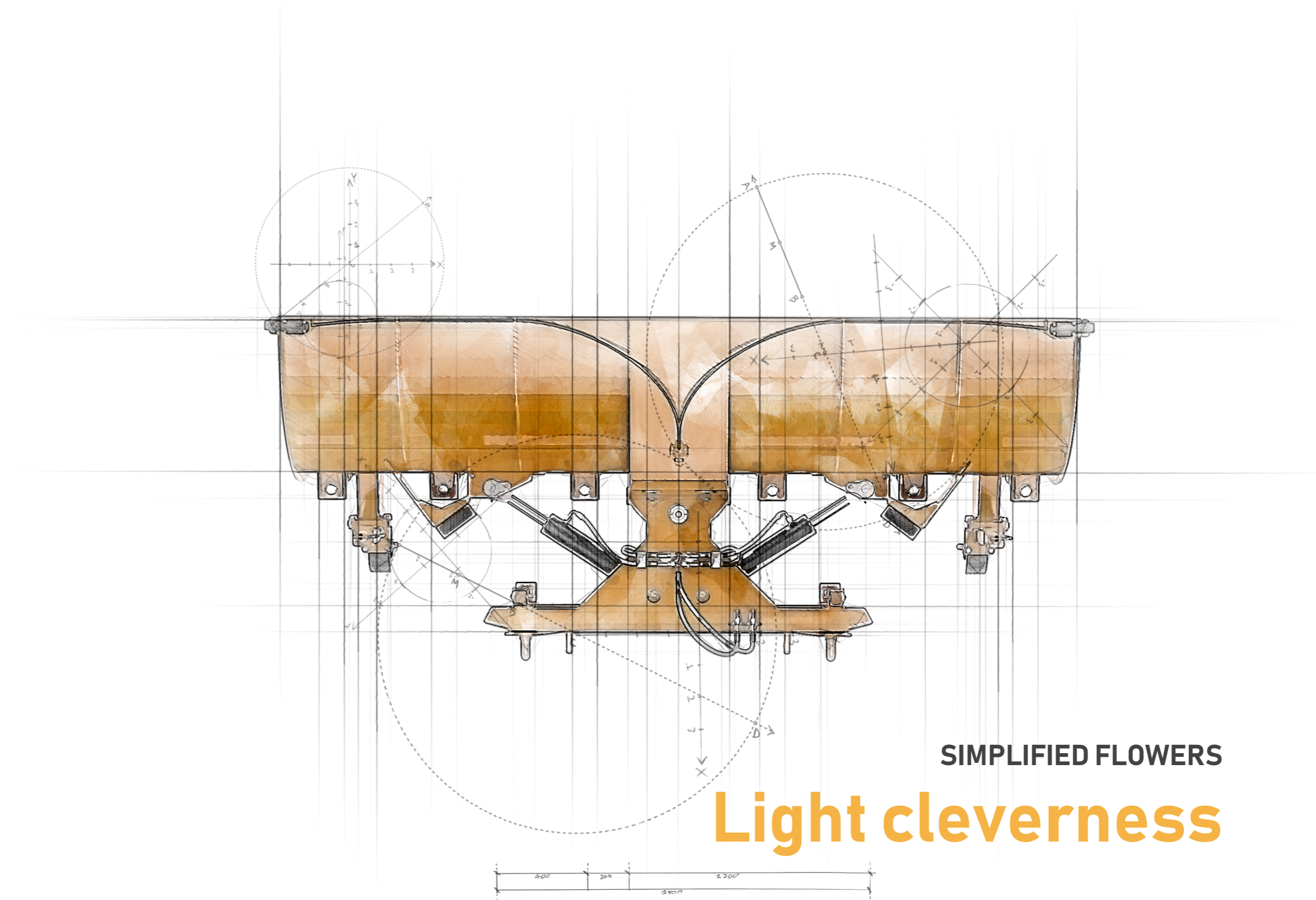
- ✓ Standard equipment
- Optional equipment
- Option not available
- Recommended
- Especially recommended

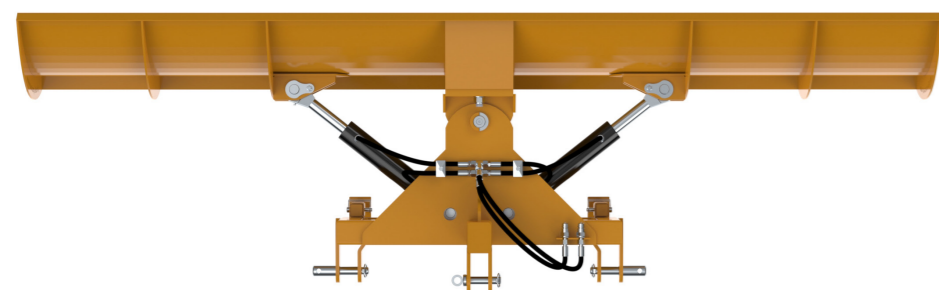
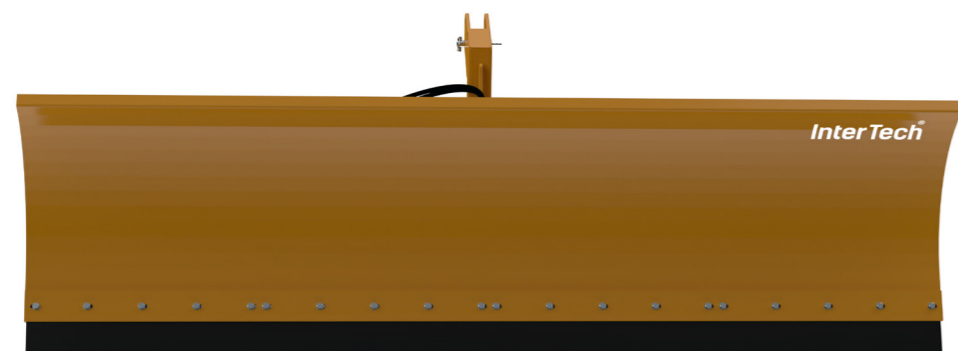


## SIMPLIFIED FLOWERS

The plow with one blade is designed for clearing snow from paved and unpaved road surfaces. Ploughs with a smaller working width are great for clearing snow from narrow roads, sidewalks or paths.

The two-stage adjustment of the working angle, as well as the support wheels allow you to thoroughly clear the working surface. In turn, the scraper bar protects the snow-removing surface from damage. Its sturdy, durable construction guarantees long-lasting use. It works perfectly with tractors, telehandlers or mini-loaders.





## HYDRAULIC PLOW

### PSSH-02



MIN. 60 KM



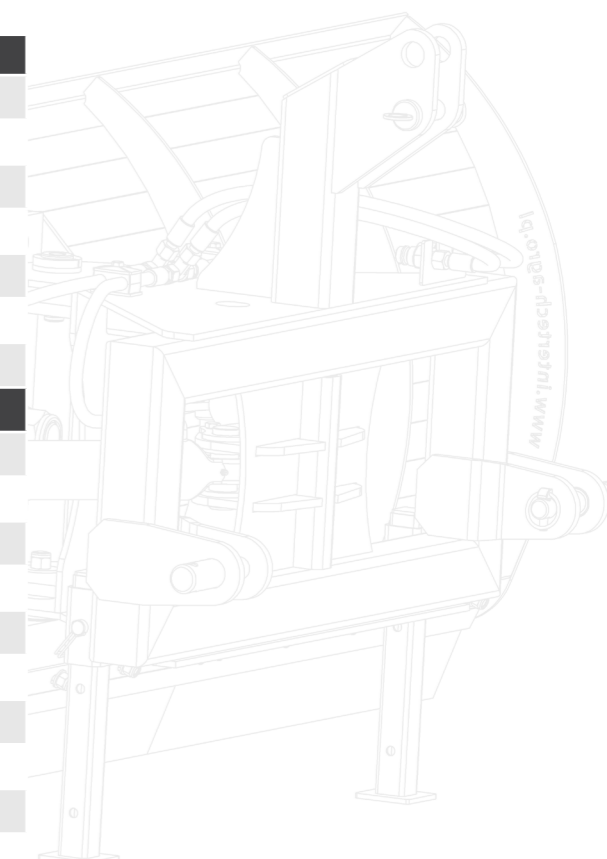
2,05-3,0 m



0,83 m

## HYDRAULIC PLOW PSSH-02

Machine no	OP01	OP02	OP03
Width (m)	2,2	2,6	3,0
Minimum working width (m)	2,05	2,45	2,85
Maximum working width (m)	2,2	2,6	3,0
Mouldboard height (m)	0,83	0,83	0,83
Steering angle (°)	23	23	23
Minimum tractor power (HP)	60	60	60
Weight (kg)	315	330	355
Equipment			
EURO or SMS or TUZ cat. II connection	✓	✓	✓
Scraper bar (mm) 50	✓	✓	✓
Lighting	●	●	●
Support wheels / slides	●	●	●
Steel blade (m) (€)	●	●	●
Polyurethane blade (m) (€)	○ ●	○ ●	○ ●
EURO / TUZ connection	● ●	● ●	● ●
Telehandler mount (€)	●	●	●
Skid steer mount (€)	●	●	●
Service package	● ●	● ●	● ●

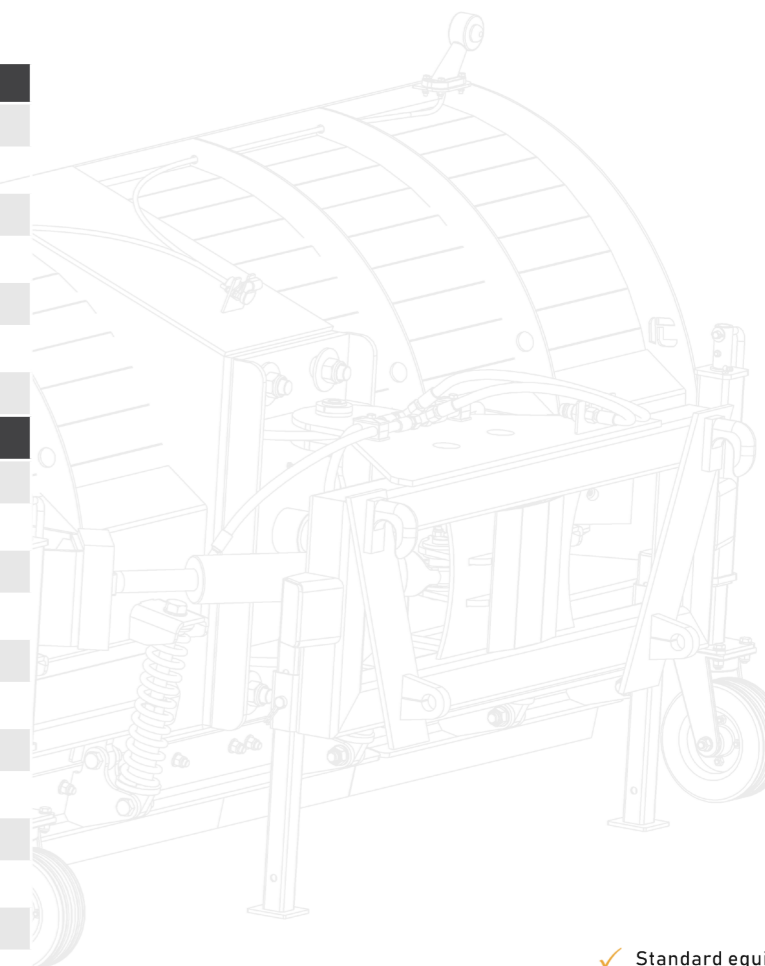
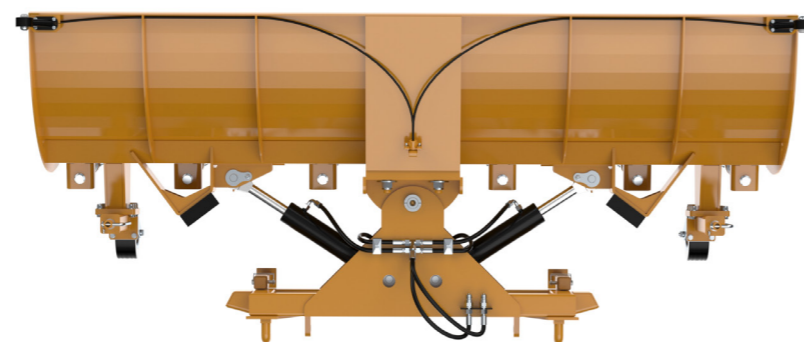


- ✓ Standard equipment
- Optional equipment
- Option not available
- Recommended
- Especially recommended





**ORANGE**  
line



## HYDRAULIC PLOW PSSH-03



MIN. 80 KM



2,37-2,95 m



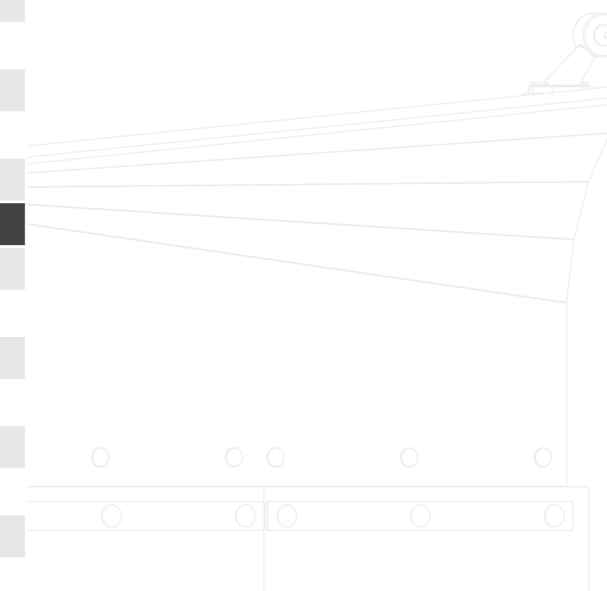
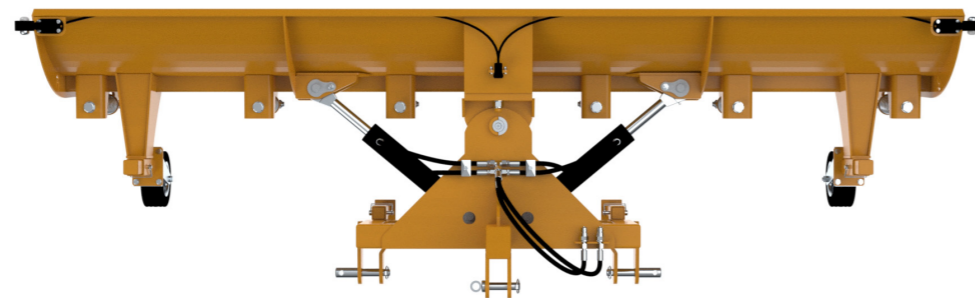
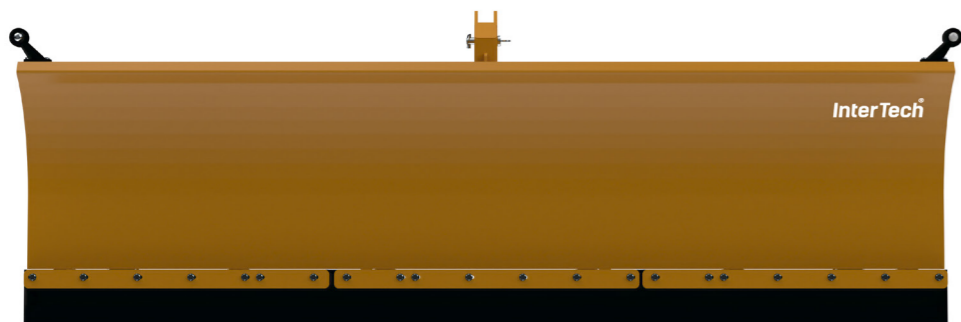
1,06 m

## HYDRAULIC PLOW PSSH-03

Machine no	OP04	OP05
Width (m)	2,65	2,95
Minimum working width (m)	2,37	2,72
Maximum working width (m)	2,65	2,95
Mouldboard height (m)	1,06	1,06
Steering angle (°)	24	24
Minimum tractor power (HP)	80	80
Weight (kg)	640	685
Equipment		
EURO or SMS or TUZ cat. II connection	✓	✓
Amortized blade	✓	✓
Electric connector 12V	✓	✓
Scraper bar (mm) 50	✓	✓
Support wheels / slides	✓	✓
Lighting	✓	✓
Steel blade (m) (€)	●	●
Polyurethane blade (m) (€)	○ ●	○ ●
EURO / TUZ connection	● ●	● ●
Telehandler mount (€)	●	●
Skid steer mount (€)	—	—
Service package	● ●	● ●

- ✓ Standard equipment
- Optional equipment
- Option not available
- Recommended
- Especially recommended





**ORANGE**  
line

## HYDRAULIC PLOW PSSH-04

Machine no	OP06	OP07	OP08
Width (m)	2,2	2,6	3,0
Minimum working width (m)	2,05	2,45	2,85
Maximum working width (m)	2,2	2,6	3,0
Mouldboard height (m)	0,82	0,82	0,82
Steering angle (°)	23	23	23
Minimum tractor power (HP)	60	60	60
Weight (kg)	365	390	420
Equipment			
EURO or SMS or TUZ cat. II connection	✓	✓	✓
Amortized blade	✓	✓	✓
Electric connector 12V	✓	✓	✓
Scraper bar (mm) 50	✓	✓	✓
Support wheels / slides	✓	✓	✓
Lighting	✓	✓	✓
Steel blade (m) (€)	●	●	●
Polyurethane blade (m) (€)	○ ●	○ ●	○ ●
EURO / TUZ connection	● ●	● ●	● ●
Telehandler mount (€)	●	●	●
Skid steer mount (€)	●	●	—
Service package	● ●	● ●	● ●

## HYDRAULIC PLOW PSSH-04



MIN. 60 KM



2,05-3,0 m



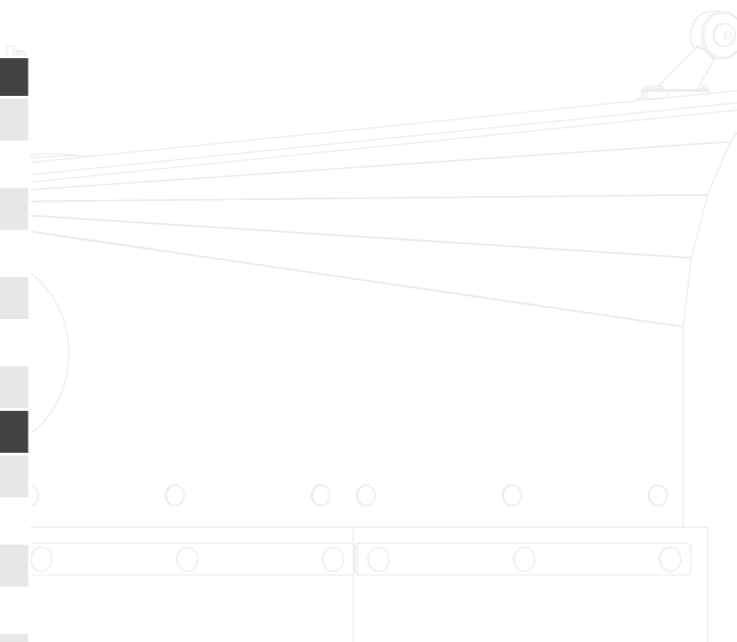
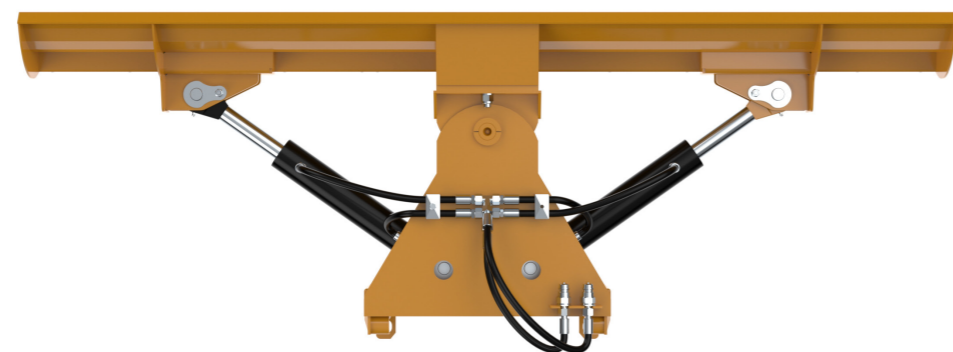
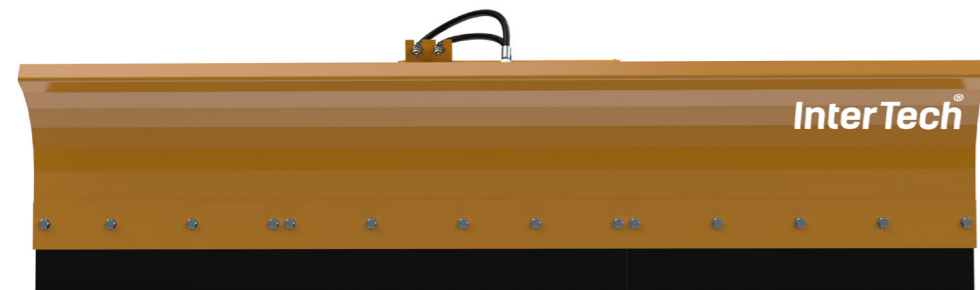
0,82 m

- ✓ Standard equipment
- Optional equipment
- Option not available
- Recommended
- Especially recommended





**ORANGE**  
line



### HYDRAULIC PLOW MINI

Machine no	OP09
Width (m)	2.0
Minimum working width (m)	1.82
Maximum working width (m)	2.0
Mouldboard height (m)	0.5
Steering angle (°)	25
Minimum tractor power (HP)	30
Weight (kg)	150
<b>Equipment</b>	
Skid steer mount (€)	✓
Scraper bar (mm) 50	✓
Steel blade (m) (€)	●
Polyurethane blade (m) (€)	○ ●
Service package	● ●

### HYDRAULIC PLOW MINI

 MIN. 30 KM  
 1,82-2,0 m  
 0,5 m

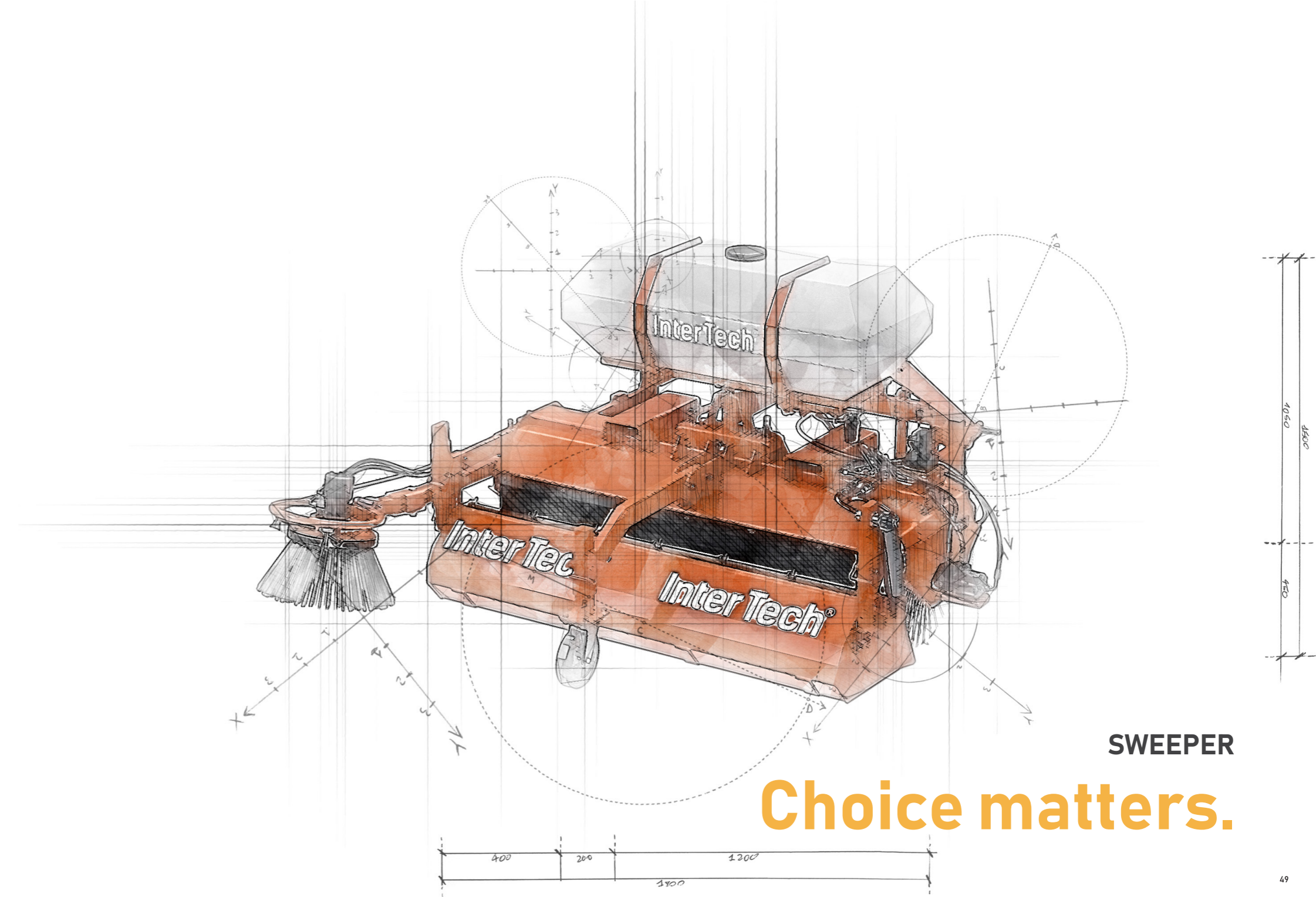
- ✓ Standard equipment
- Optional equipment
- Option not available
- Recommended
- Especially recommended



# SWEEPER

The sweeper is a reliable device for use at any time of the year. The possibility of various configurations means that it will be perfect for spring and summer clean-ups along roads, squares, or sidewalks, as well as during winter when a light snowfall prevents free movement.

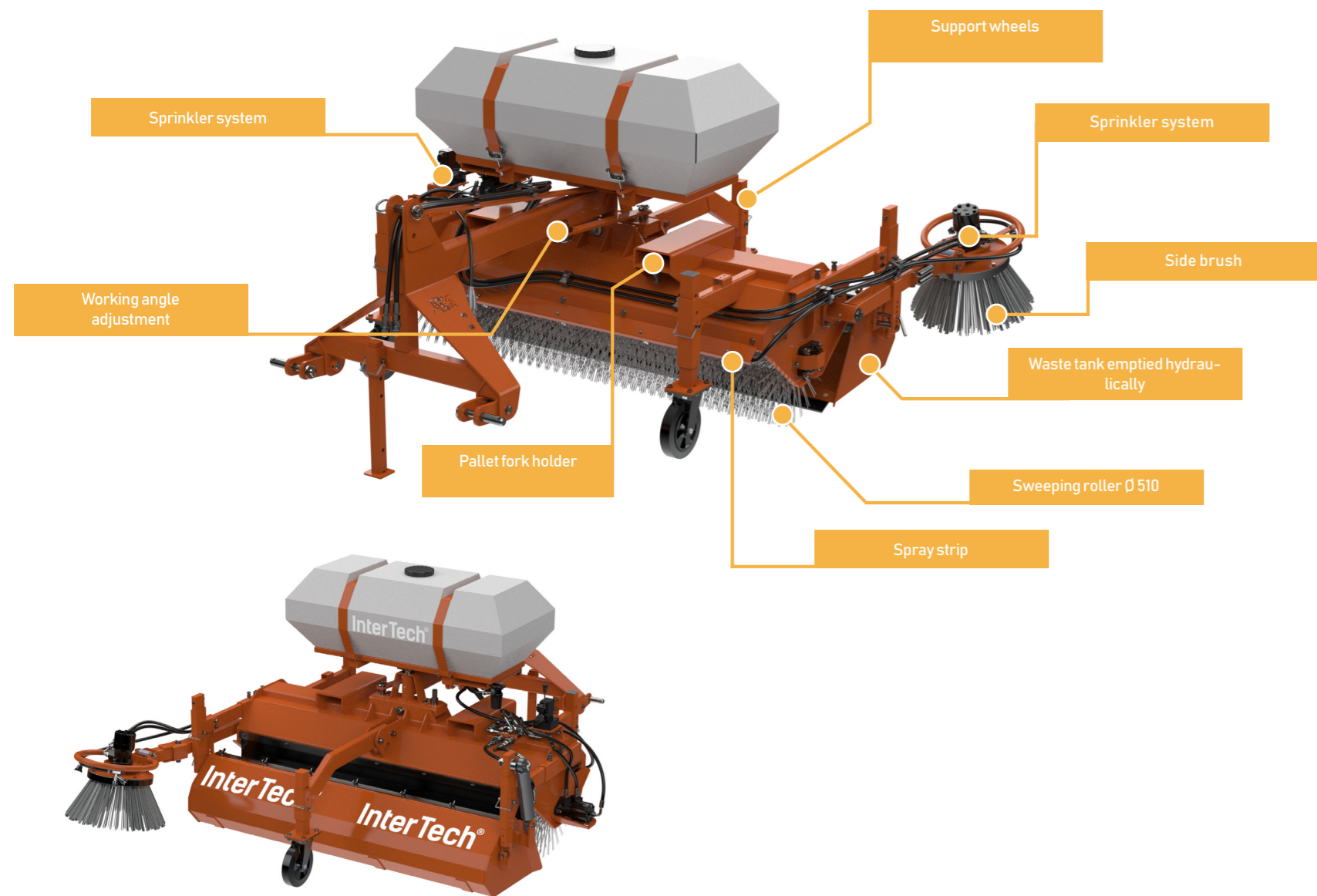
The properly constructed suspension system allows the sweeper to move on different planes, which means it copies the terrain excellently. Using a watering system will minimize the risk of dust during work on hot days. Adding a side brush (left or right) will enable thorough cleaning even in the most inaccessible nooks. A protective strip guarantees that the sweeper will not be damaged by stones or other dangerous elements during operation.







**ORANGE**  
line

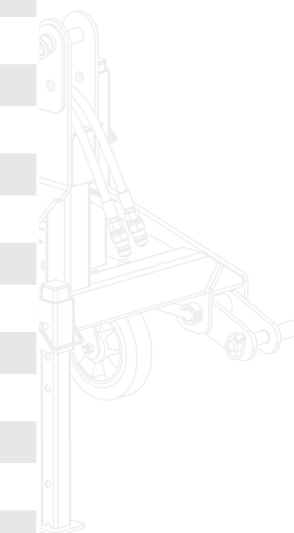


**SWEeper**  
SWEEP AQUA

 MIN. 30 KM  
 1,6-2,4 m  
 340-400 kg

**SWEeper** SWEEP AQUA

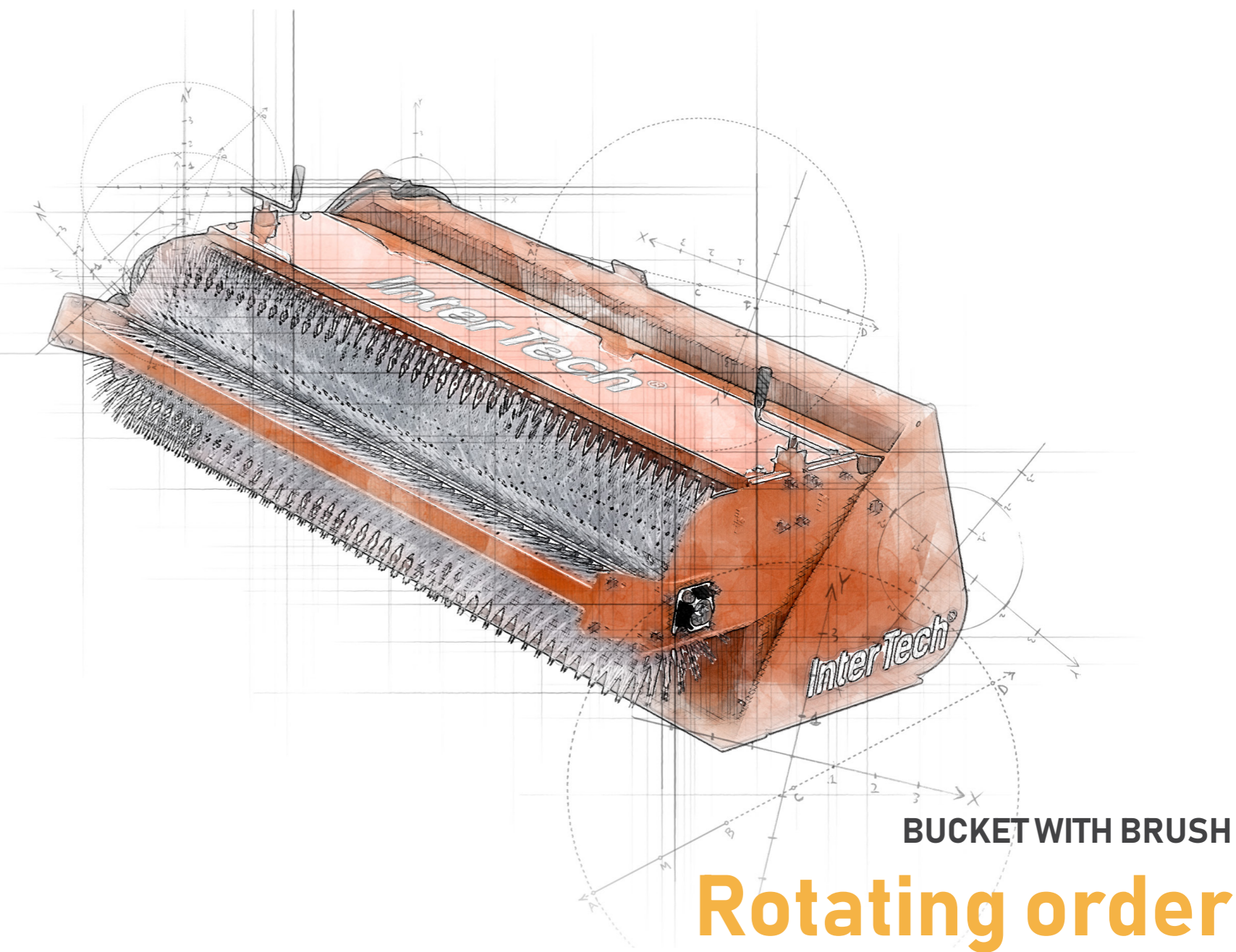
Model	Sweep 1.6	Sweep 1.8	Sweep 2.0	Sweep 2.2	Sweep 2.4
Machine no	OZ01	OZ02	OZ03	OZ04	OZ05
Width (m)	1,6	1,8	2,0	2,2	2,4
Waste tank capacity (m3)	0,16	0,18	0,20	0,22	0,24
Minimum tractor power (HP)	30	30	30	30	30
Weight (kg)	340	355	370	385	400
Equipment					
EURO or SMS or TUZ cat. II connection	✓	✓	✓	✓	✓
Transverse copying of the terrain	✓	✓	✓	✓	✓
Support wheels	✓	✓	✓	✓	✓
Waste tank emptied hydraulically	✓	✓	✓	✓	✓
Plastic brush (mm) Ø 510	✓	✓	✓	✓	✓
Mixed brush (mm) Ø 510 (€)	●	●	●	●	●
Wire brush (mm) Ø 510 (€)	●	●	●	●	●
Side brush (left or right) (€)	●●	●●	●●	●●	●●
Hydraulically emptied waste tank	○●	○●	○●	○●	○●
Sprinkler system (€)	○●	○●	○●	○●	○●
Hydraulic adjustment of the working angle (€)	○●	○●	○●	○●	○●
EURO / TUZ connection	○●	○●	○●	○●	○●
Telehandler mount (€)	●	●	●	●	●
Skid steer mount (€)	●	●	—	—	—
Service package	●●	●●	●●	●●	●●



- ✓ Standard equipment
- Optional equipment
- Option not available
- Recommended
- Especially recommended

## BUCKET WITH BRUSH

The bucket with a brush designed for maintaining order in squares or streets will thoroughly clean the area. Thanks to the capacious waste container, the number of trips over the cleaned surface is reduced, thus saving time. The choice of the type of brush means that this device can be used under any conditions. After dismantling the sweeping section, it can be used as a regular bucket.





**BUCKET**  
WITH BRUSH



MIN. 50 KM



1,6-2,4 m



370-455 kg

**BUCKET** WITH BRUSH

Machine no	OZ06	OZ07	OZ08	OZ09	OZ10
Working width (m)	1,6	1,8	2,0	2,2	2,4
Width (m)	1,9	2,1	2,3	2,5	2,7
Capacity (m <sup>3</sup> )	0,50	0,56	0,62	0,68	0,74
Minimum tractor power (HP)	50	50	50	50	50
Weight (kg)	370	385	410	435	455
Equipment					
EURO or SMS or TUZ cat. II connection	✓	✓	✓	✓	✓
Brush (mm) Ø 510	✓	✓	✓	✓	✓
Plastic brush (mm) Ø 510	✓	✓	✓	✓	✓
Mixed brush (mm) Ø 510 (€)	●●	●●	●●	●●	●●
Wire brush (mm) Ø 510 (€)	●	●	●	●	●
Side brush (left or right) (€)	○●	○●	○●	○●	○●
Full brush cover (€)	●	●	●	●	●
EURO / TUZ connection	●●	●●	●●	●●	●●
Telehandler mount (€)	●	●	●	●	●
Skid steer mount (€)	●	●	-	-	-
Service package	●●	●●	●●	●●	●●

✓ Standard equipment  
 ● Optional equipment  
 - Option not available  
 ○ Recommended  
 ● Especially recommended



## GUARANTEE

We guarantee a professional service and professional advice. Every customer is important to us.



## ENVIRONMENT

We use renewable energy sources.



## TRANSPORT



We offer logistical support. Safe delivery of purchased machines.

[www.itlogistic.pl](http://www.itlogistic.pl)



## SAFETY

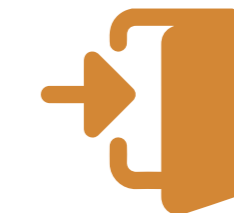
We build with your safety in mind.

**work safely**



## SERVICE

Helpline service 24/7 Diagnosis, assistance and expert advice in case of any emergencies and questions regarding the use of the machines. We are there when you need us, whatever happens you have our support.



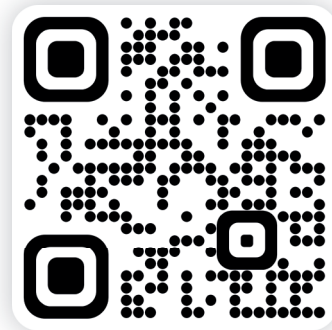
## AVAILABILITY

Online at all times.

enova365



**work safely**



-  532 777 770
-  Aleja Wojska Polskiego 100,  
18-300 Zambrów
-  [facebook.com/InterTechZambrow](https://facebook.com/InterTechZambrow)
-  [intertech\\_agro](https://instagram.com/intertech_agro)
-  [InterTechAgro](https://www.youtube.com/InterTechAgro)
-  [sekretariat@intertech-agro.pl](mailto:sekretariat@intertech-agro.pl)
-  [www.intertech-agro.pl](http://www.intertech-agro.pl)